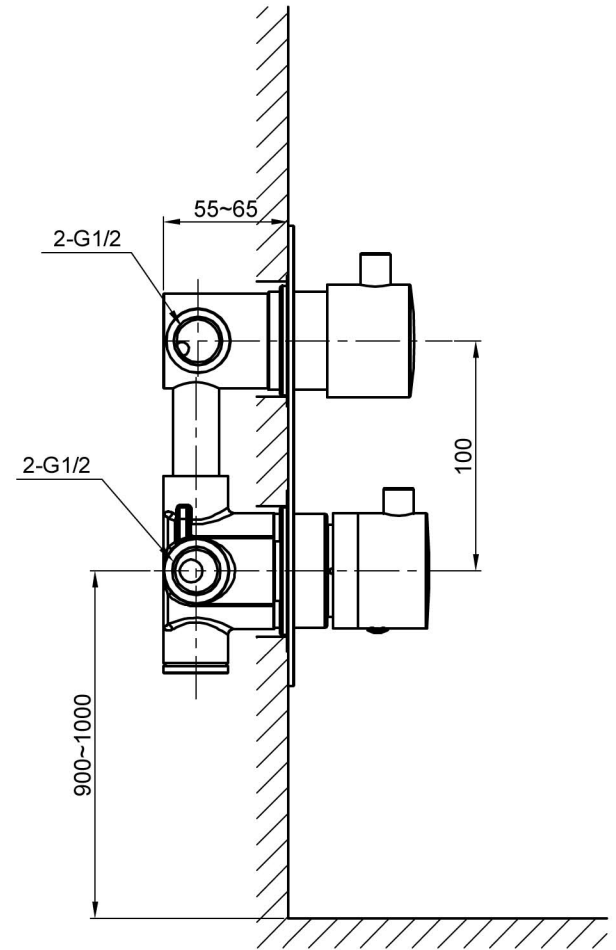
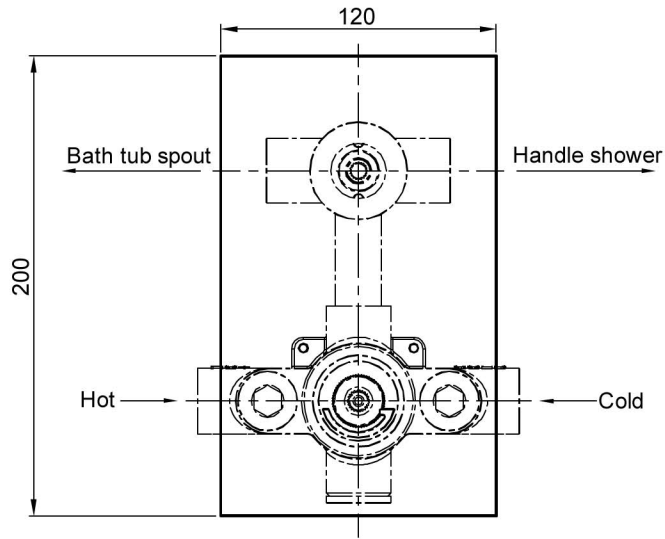


Divertor Function



KU385