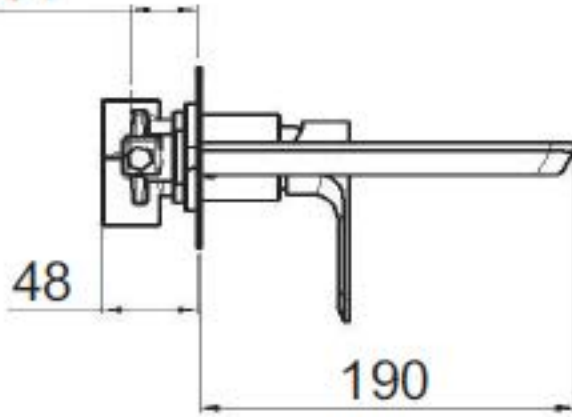




30/64

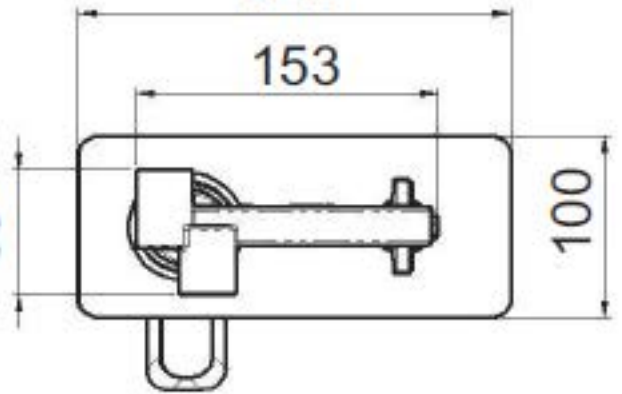


220

153

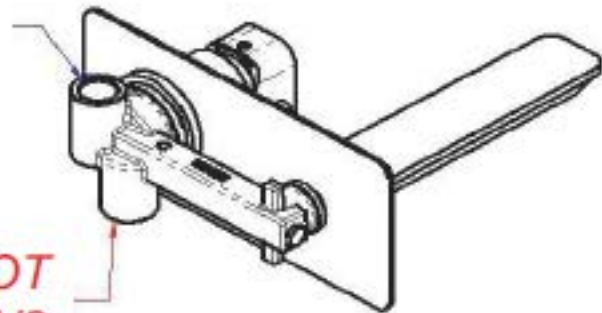
69

100



COLD
G1/2

HOT
G1/2



PY08/14