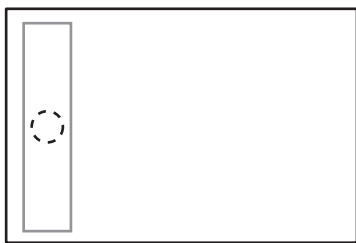
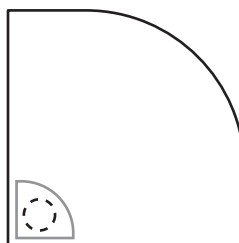


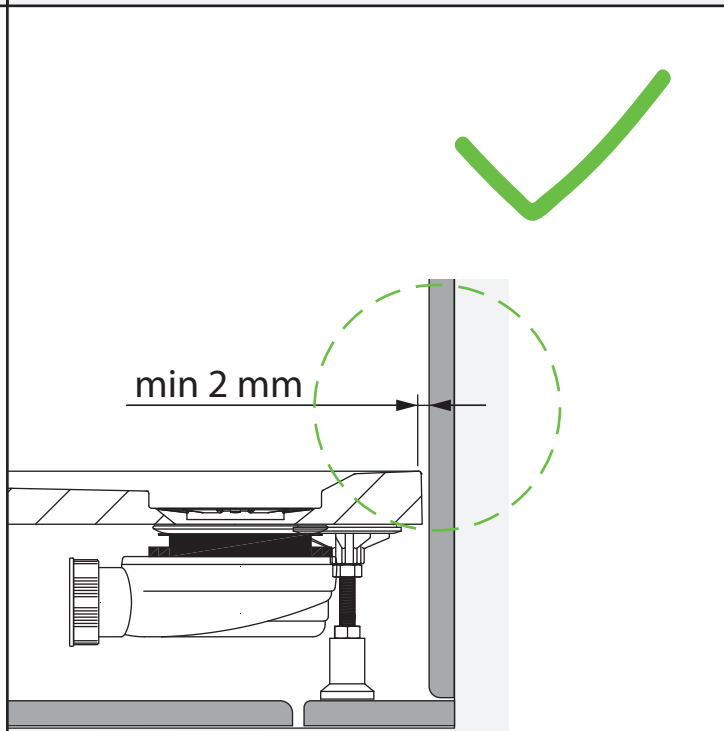
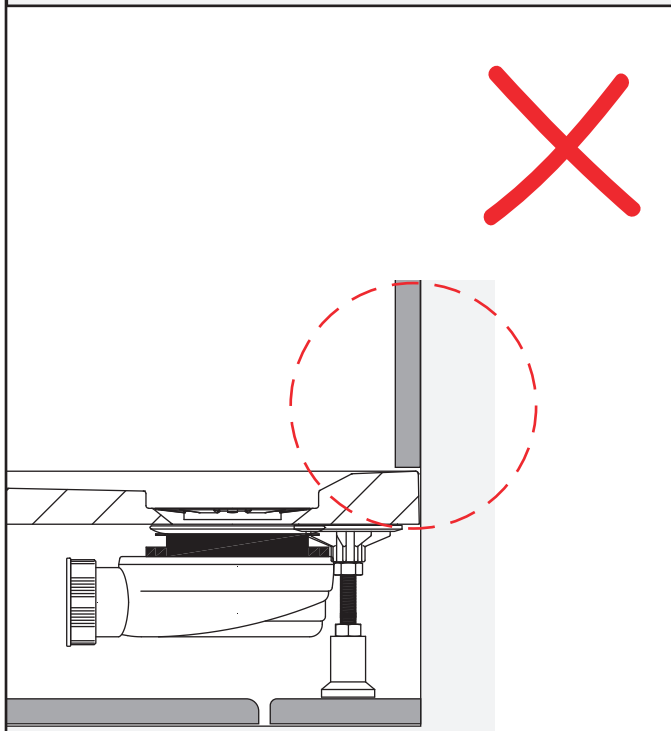
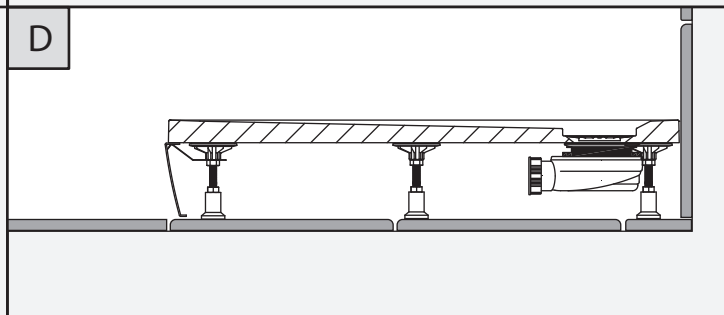
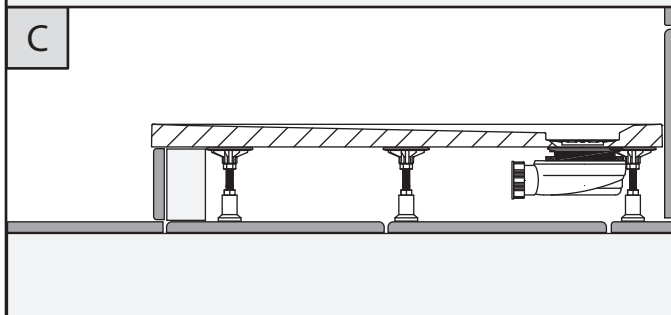
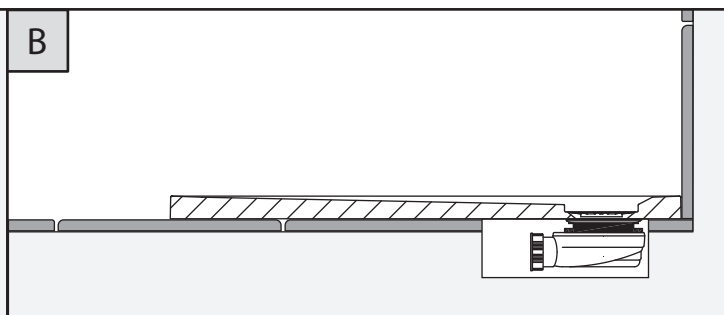
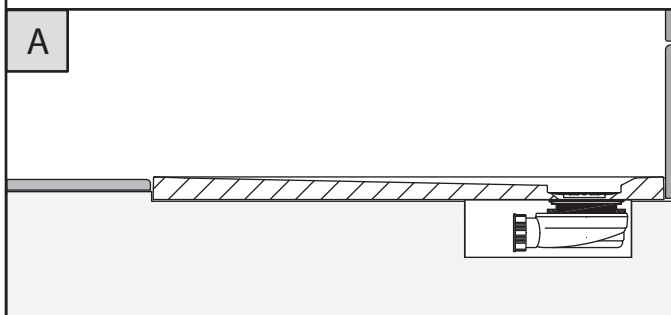
ARENA

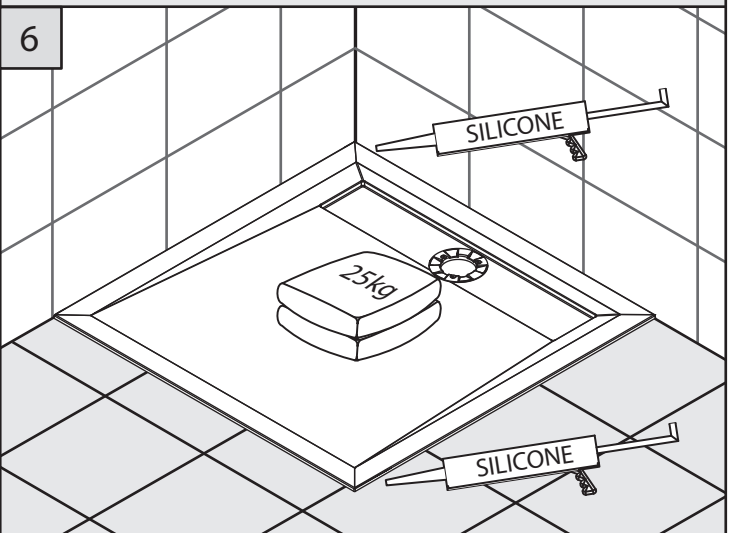
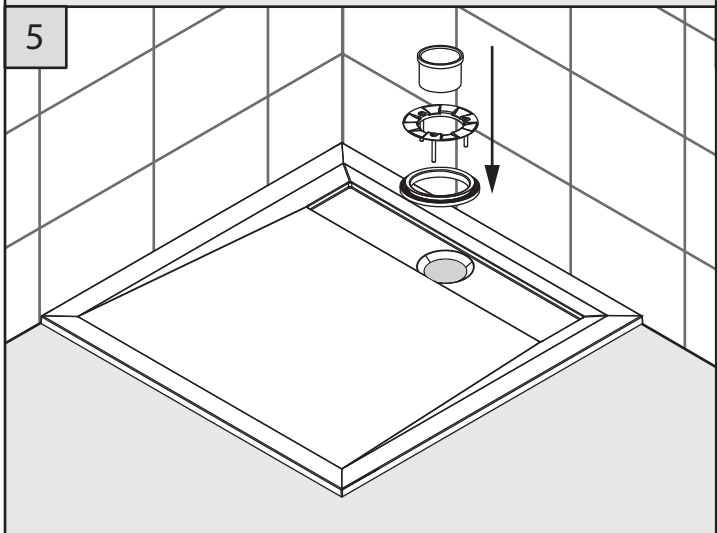
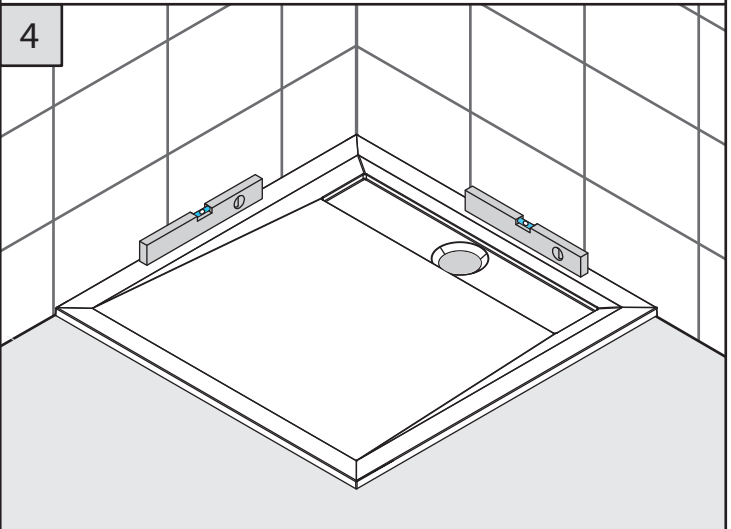
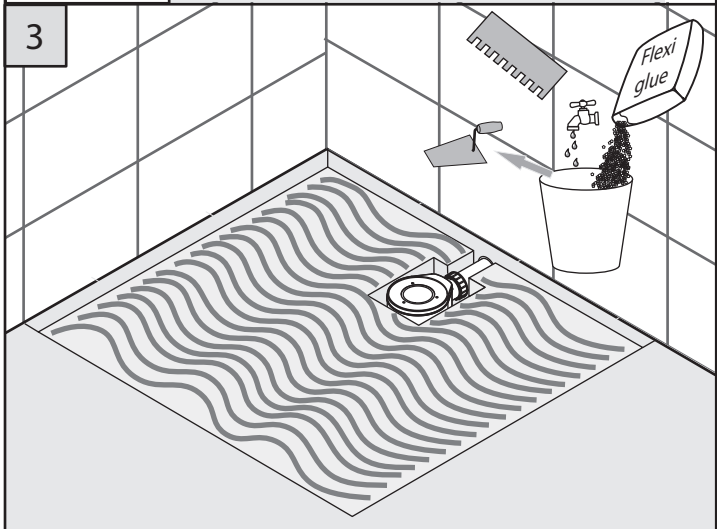
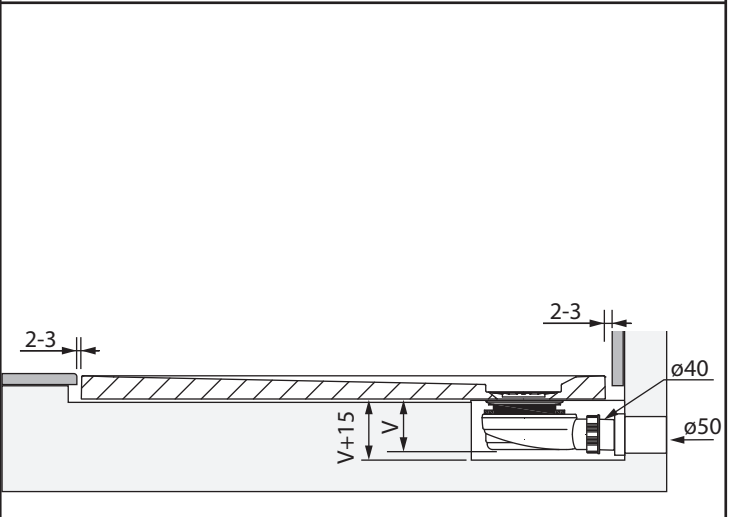
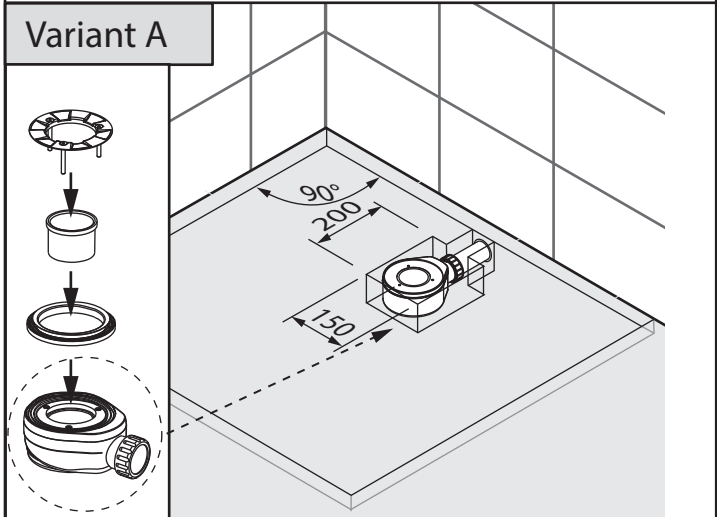
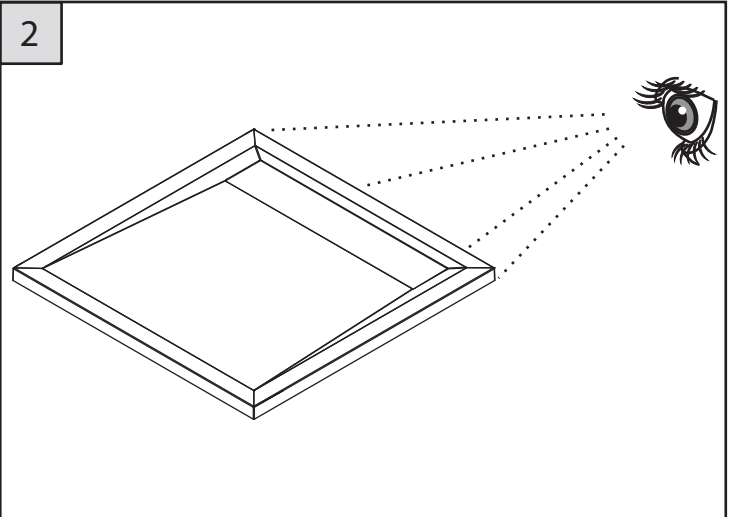
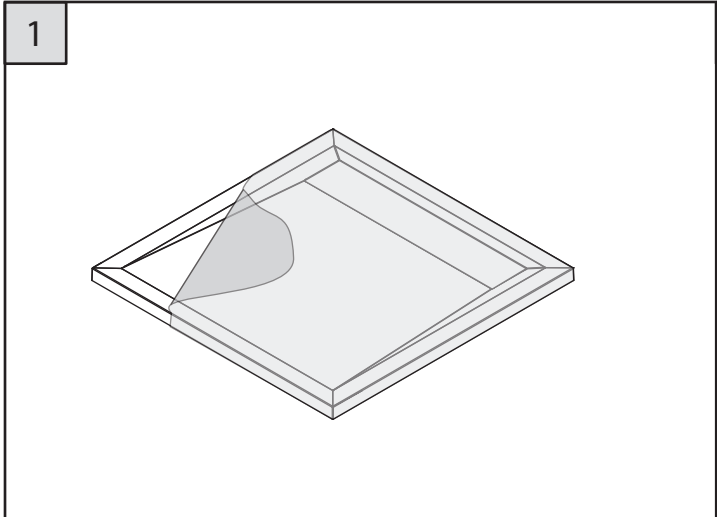


VARESA

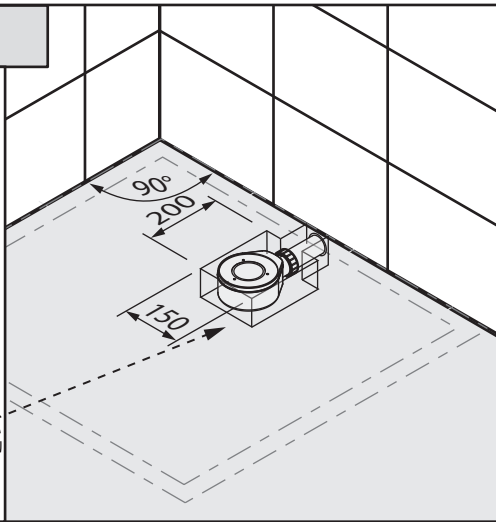
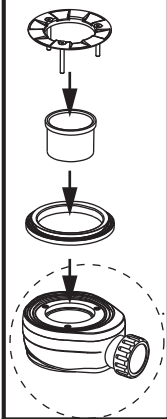


LUSSA



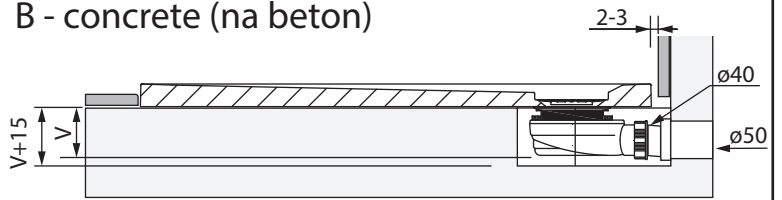
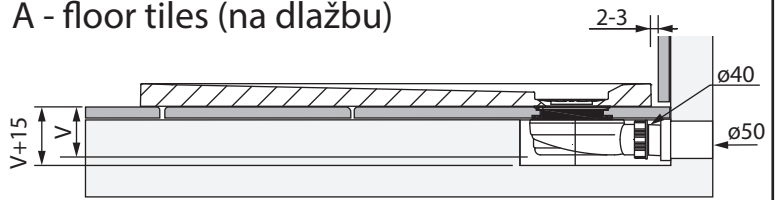


Variant B

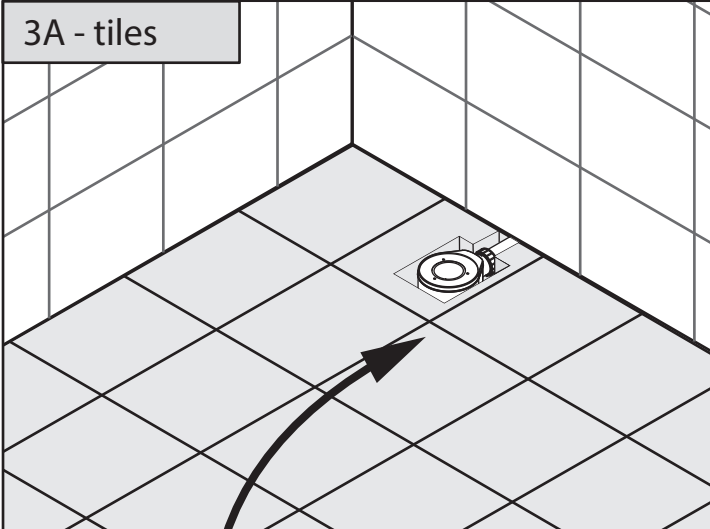


A - floor tiles (na dlažbu)

B - concrete (na beton)



3A - tiles



3B - concrete

