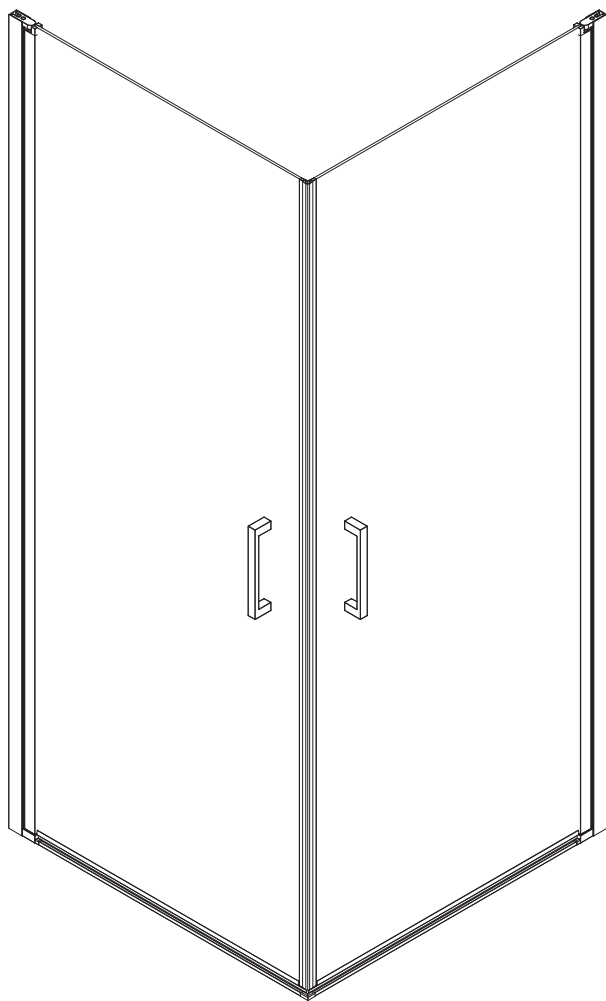


montážní návod / installation instruction

GN4970/GN4980/GN4990



EN14428

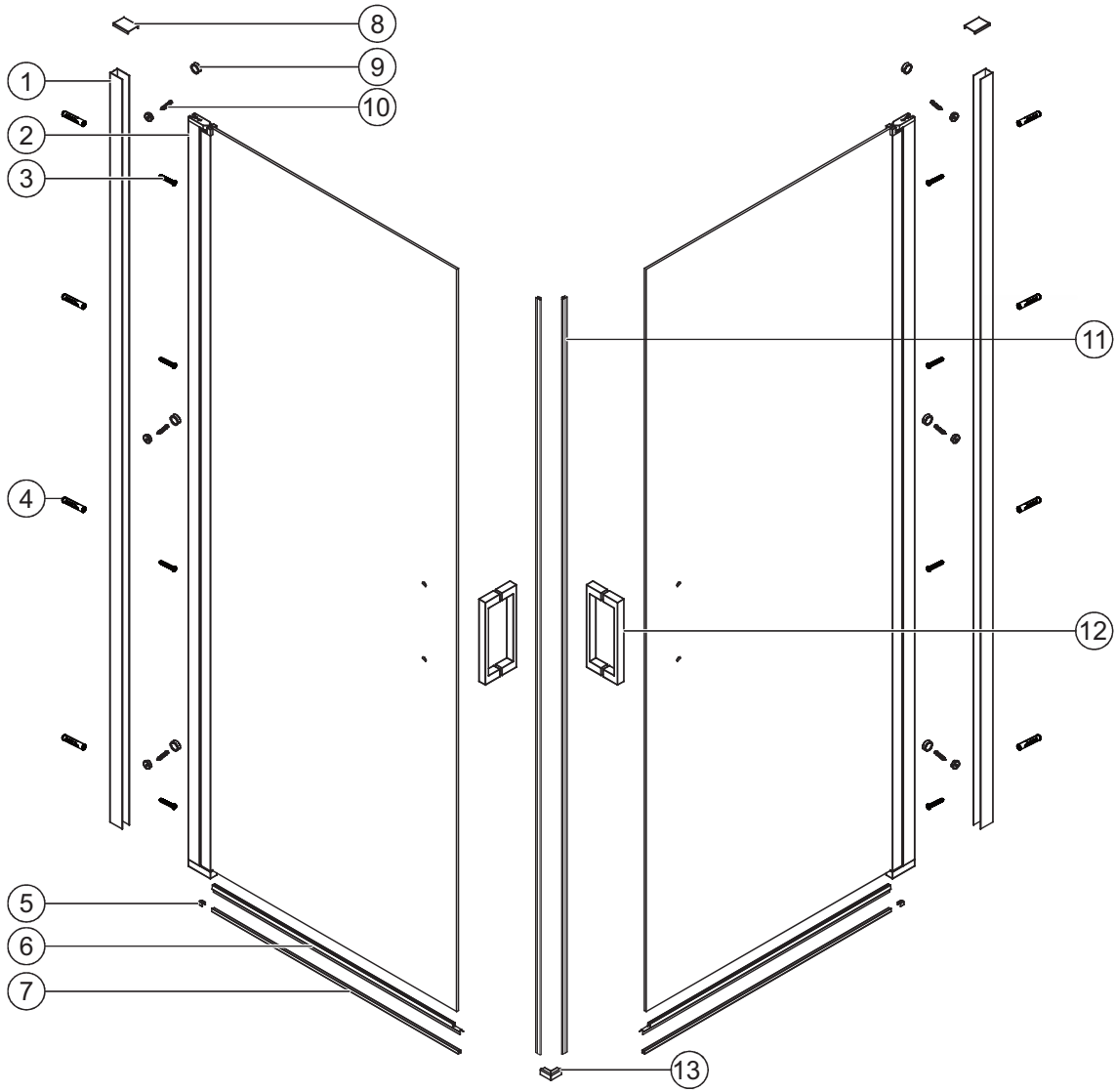
Glass shower enclosure
cleaning efficiency: conforming
impact resistance: conforming
operating life: conforming

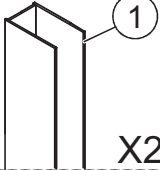
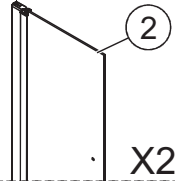
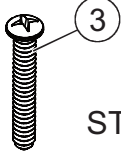
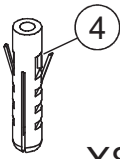
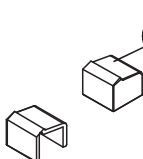
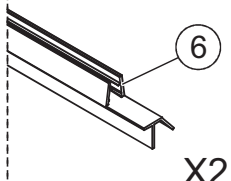
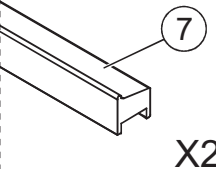
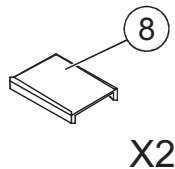
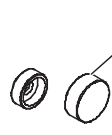

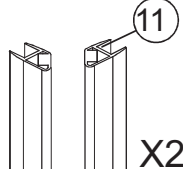
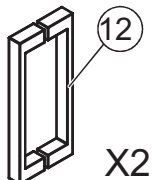
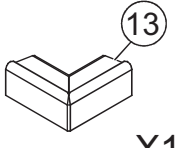
Skleněné sprchové zástěny
schopnost: vyhovuje
odolnost proti nárazu: vyhovuje
životnost: vyhovuje

The logo for GELCO, consisting of a stylized 'G' made of two overlapping squares (one blue, one orange) followed by the word 'GELCO' in a bold, blue, sans-serif font.

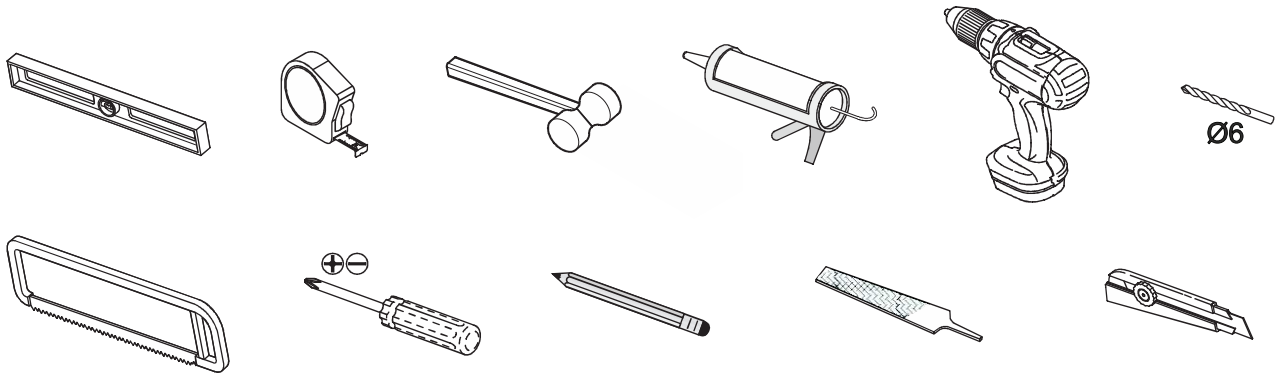
GELCO s.r.o., Makovského 1341, 163 000 Praha 6

PARTS LIST



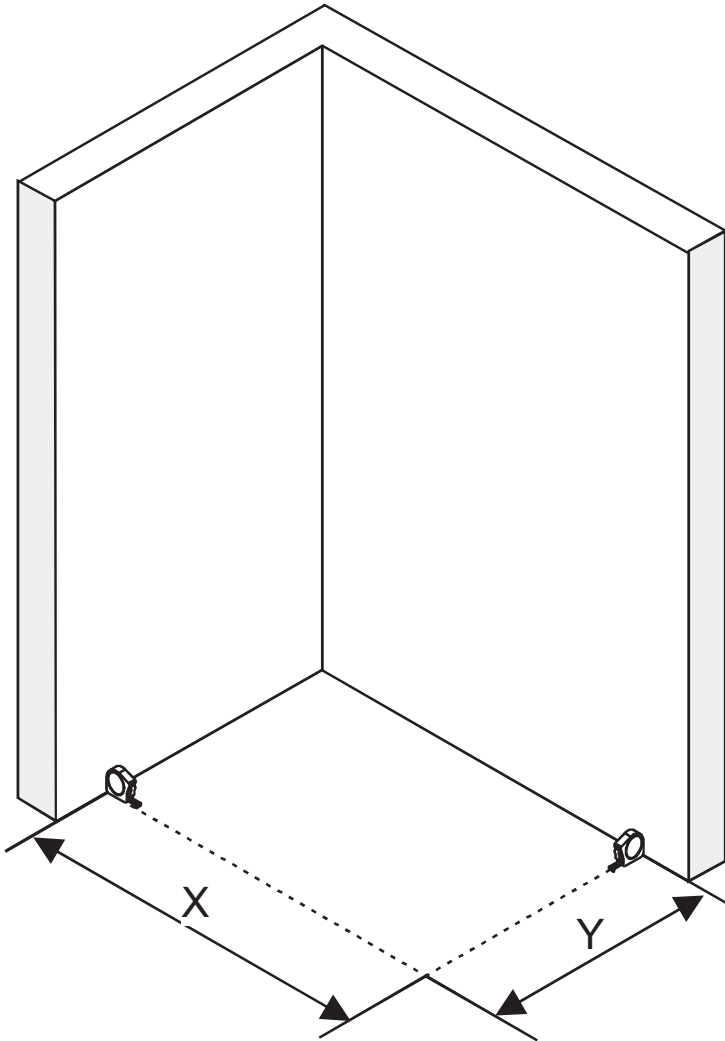
 <p>1 X2</p>	 <p>2 X2</p>	 <p>3 ST4X40 X8</p>	 <p>4 X8</p>	 <p>5 X2</p>	 <p>6 X2</p>
 <p>7 X2</p>	 <p>8 X2</p>	 <p>9 X6</p>	 <p>10 ST4X13 X6</p>	 <p>11 X2</p>	 <p>12 X2</p>
 <p>13 X1</p>					

TOOLS

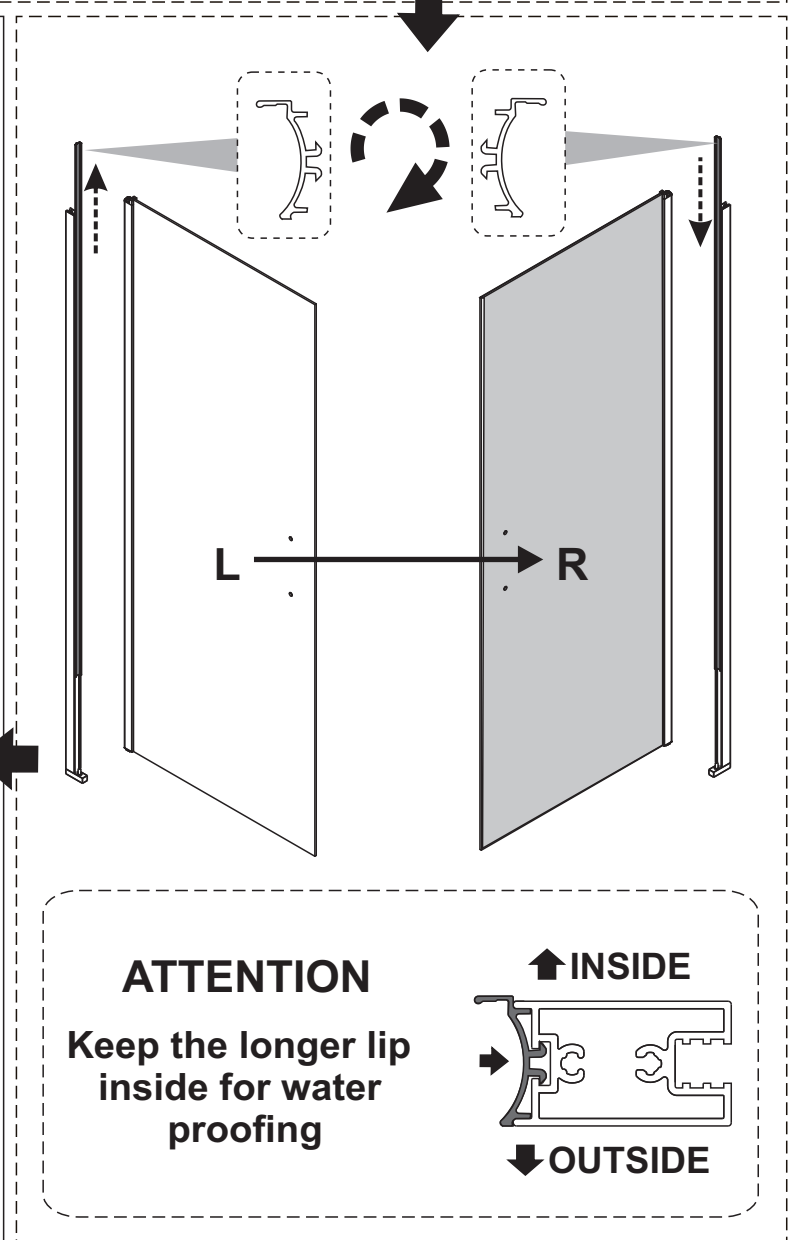
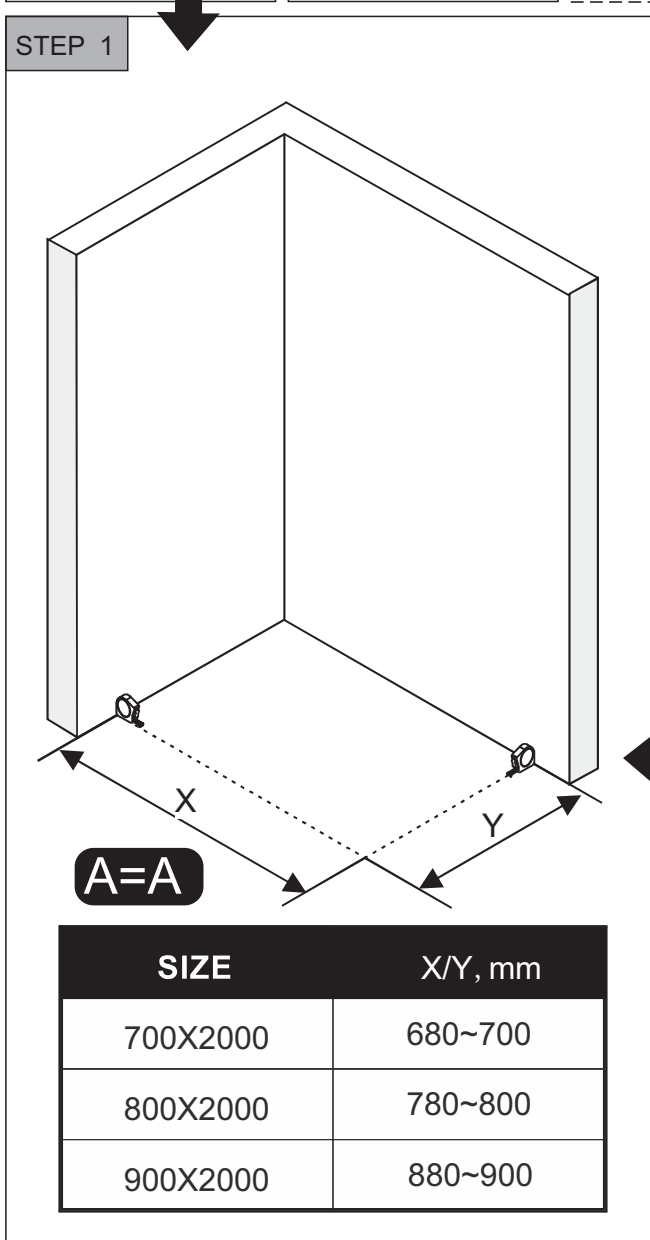
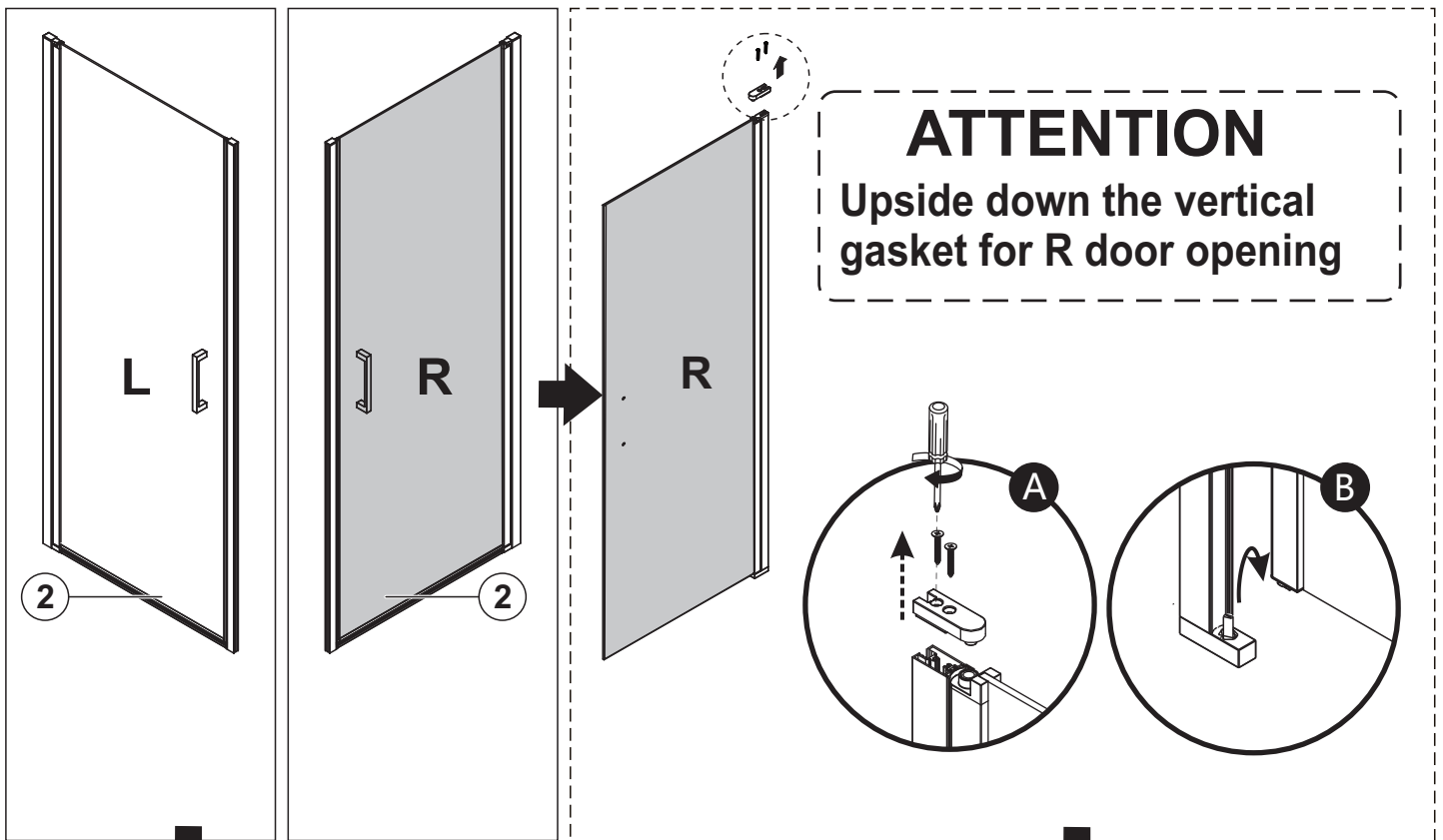


INSTALLATION

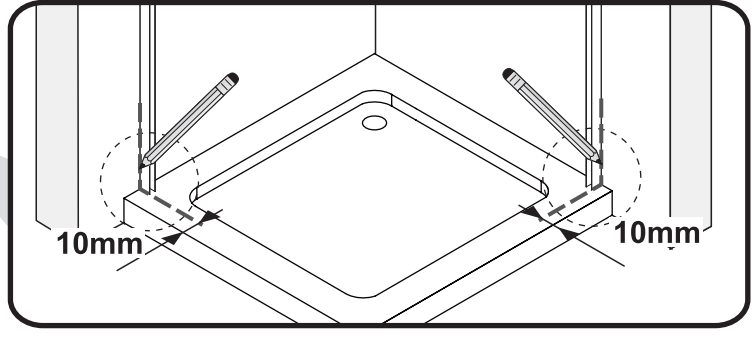
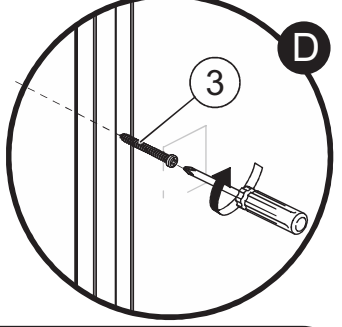
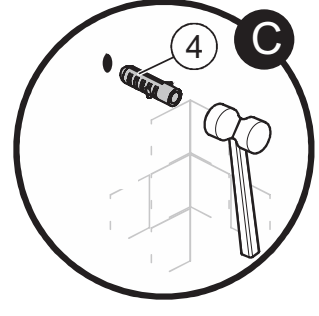
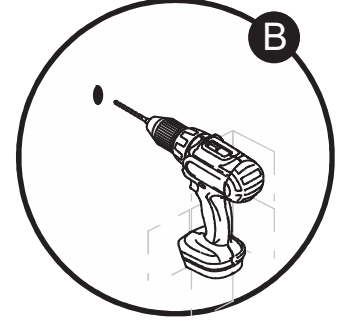
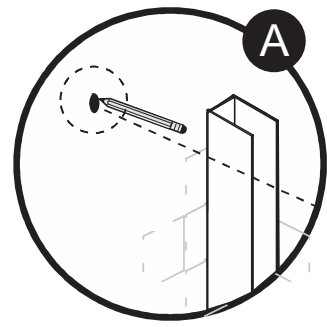
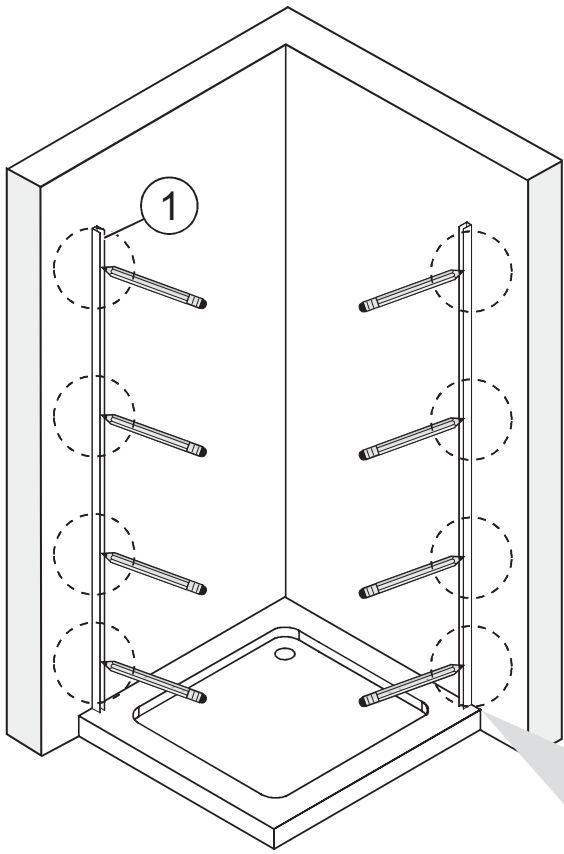
STEP 1



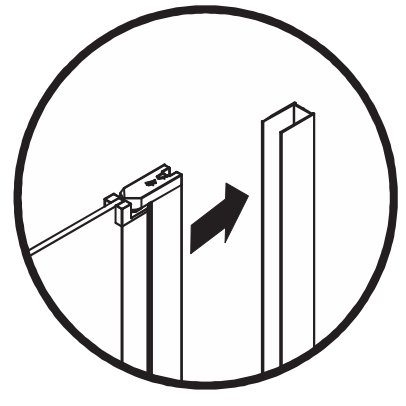
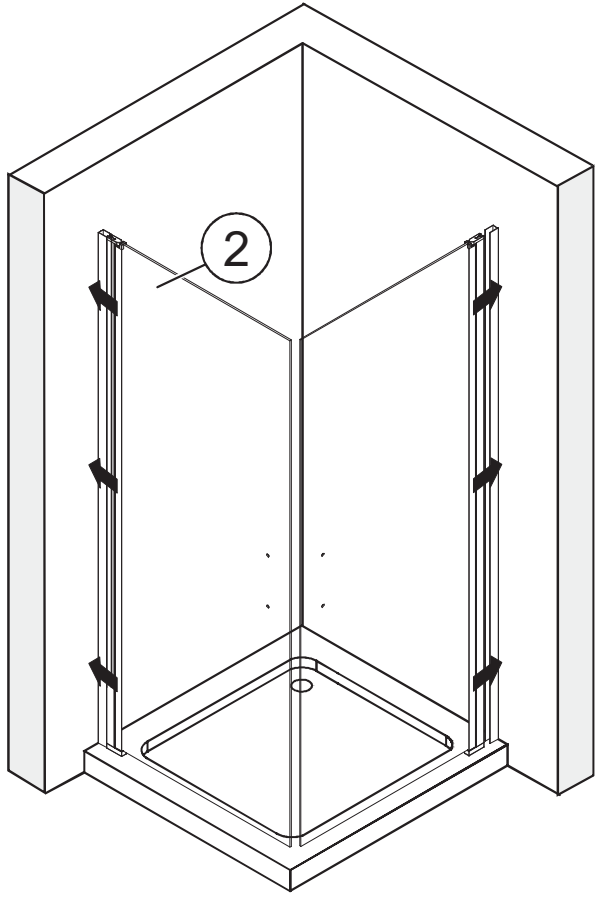
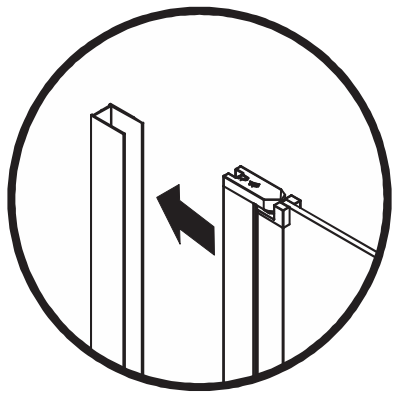
SIZE	X/Y, mm
700X2000	680~700
800X2000	780~800
900X2000	880~900



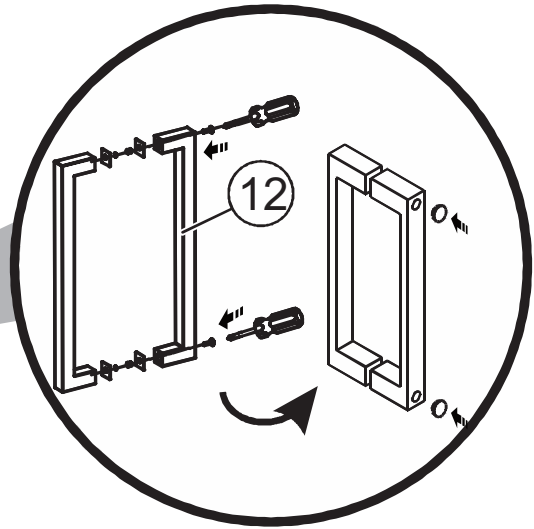
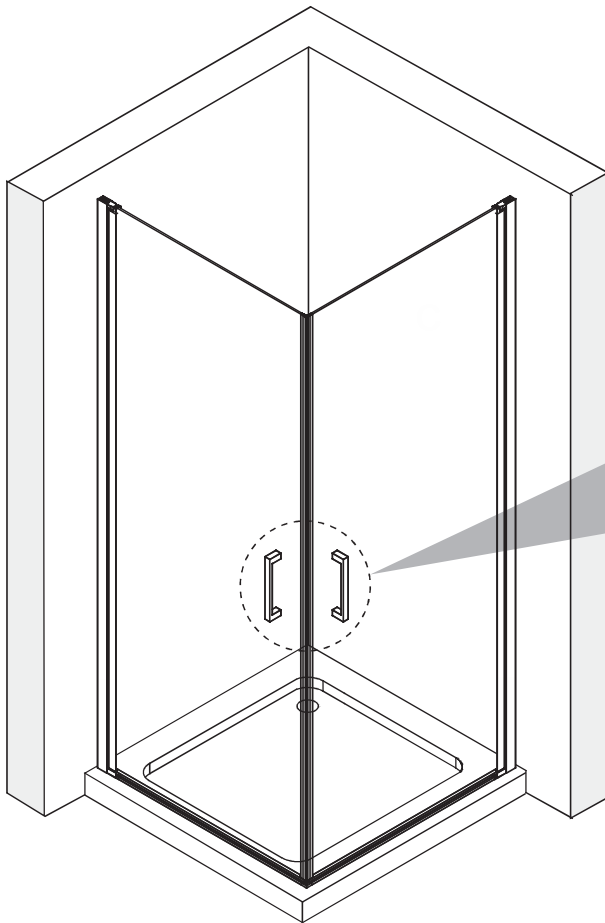
STEP 2



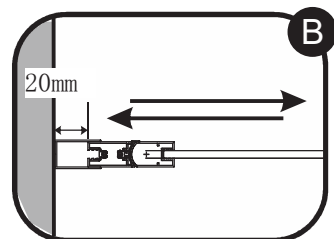
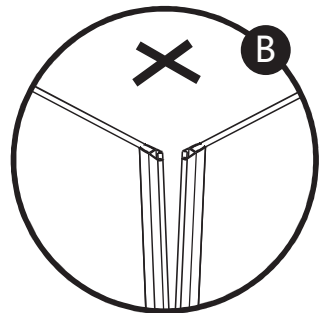
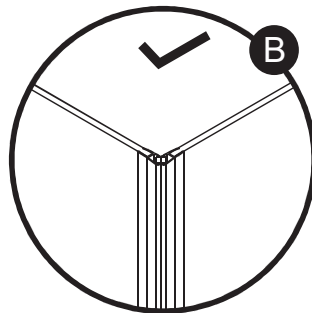
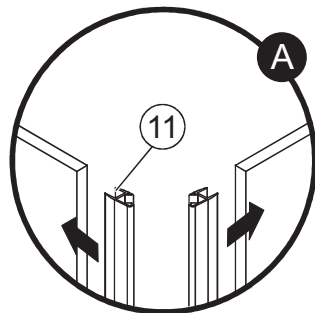
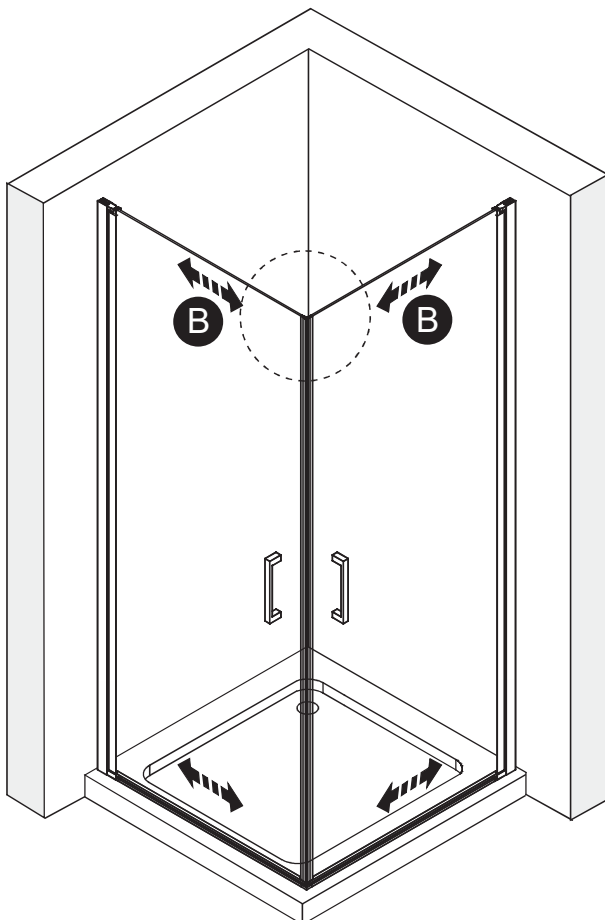
STEP 3



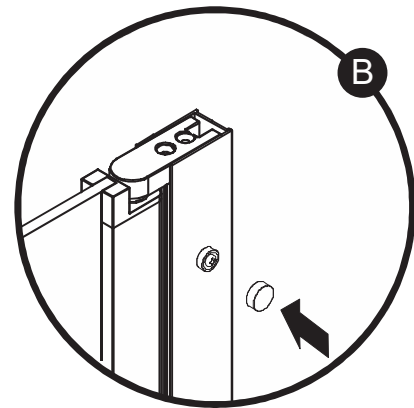
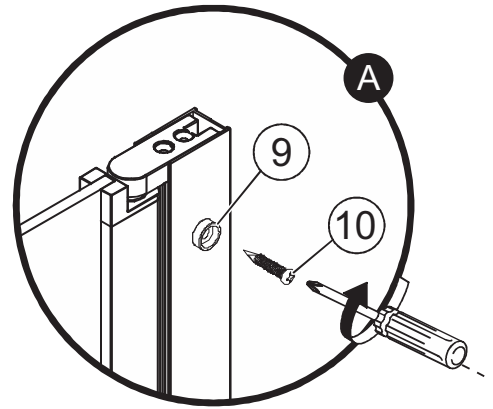
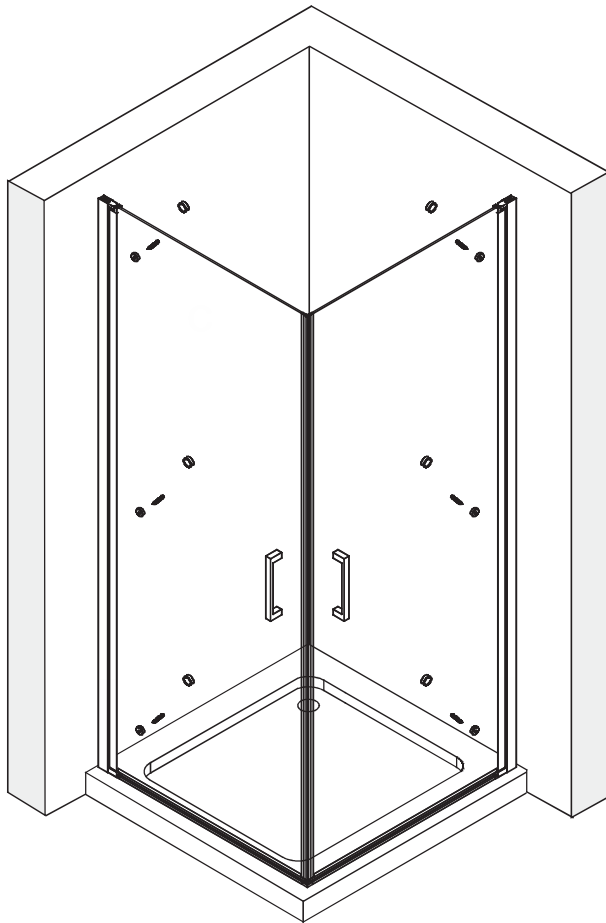
STEP 4



STEP 5



STEP 6



STEP 7

