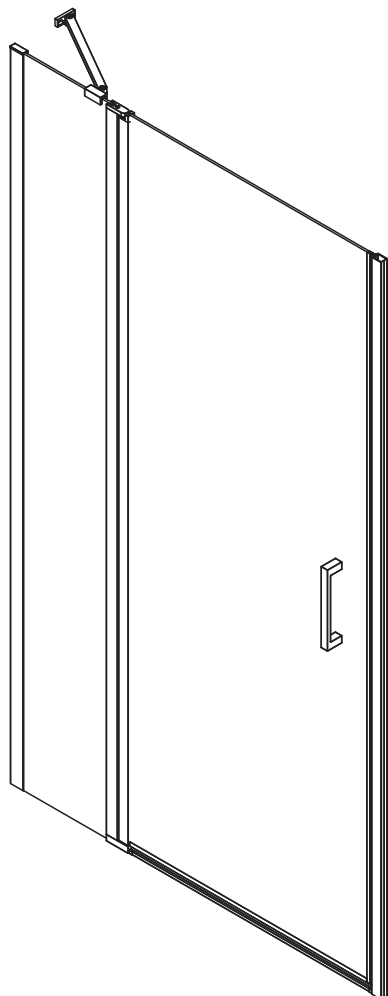
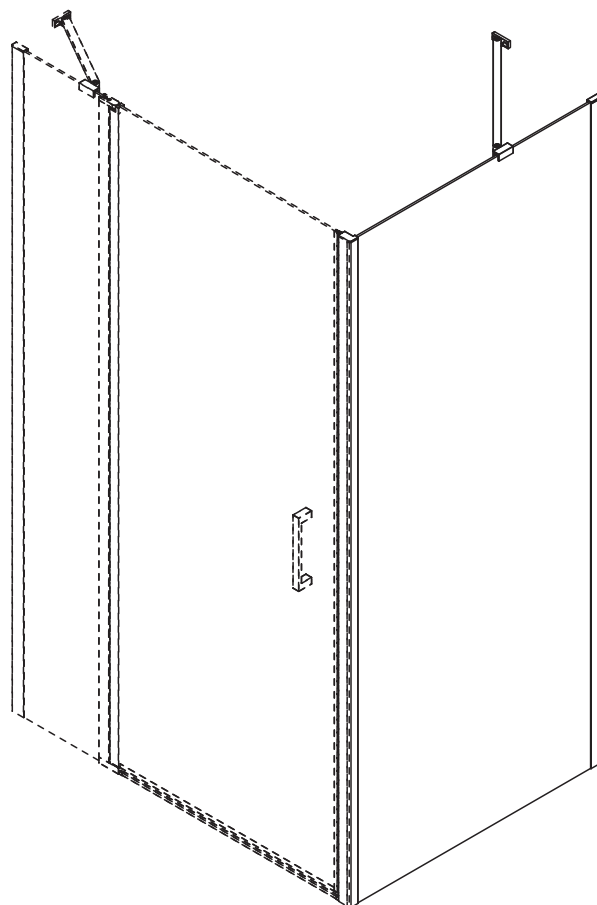


montážní návod / installation instruction



**GN4690/GN4610/GN4611
GN4612**



**GN3580/GN3590/GN3510
GN3512**

EN14428

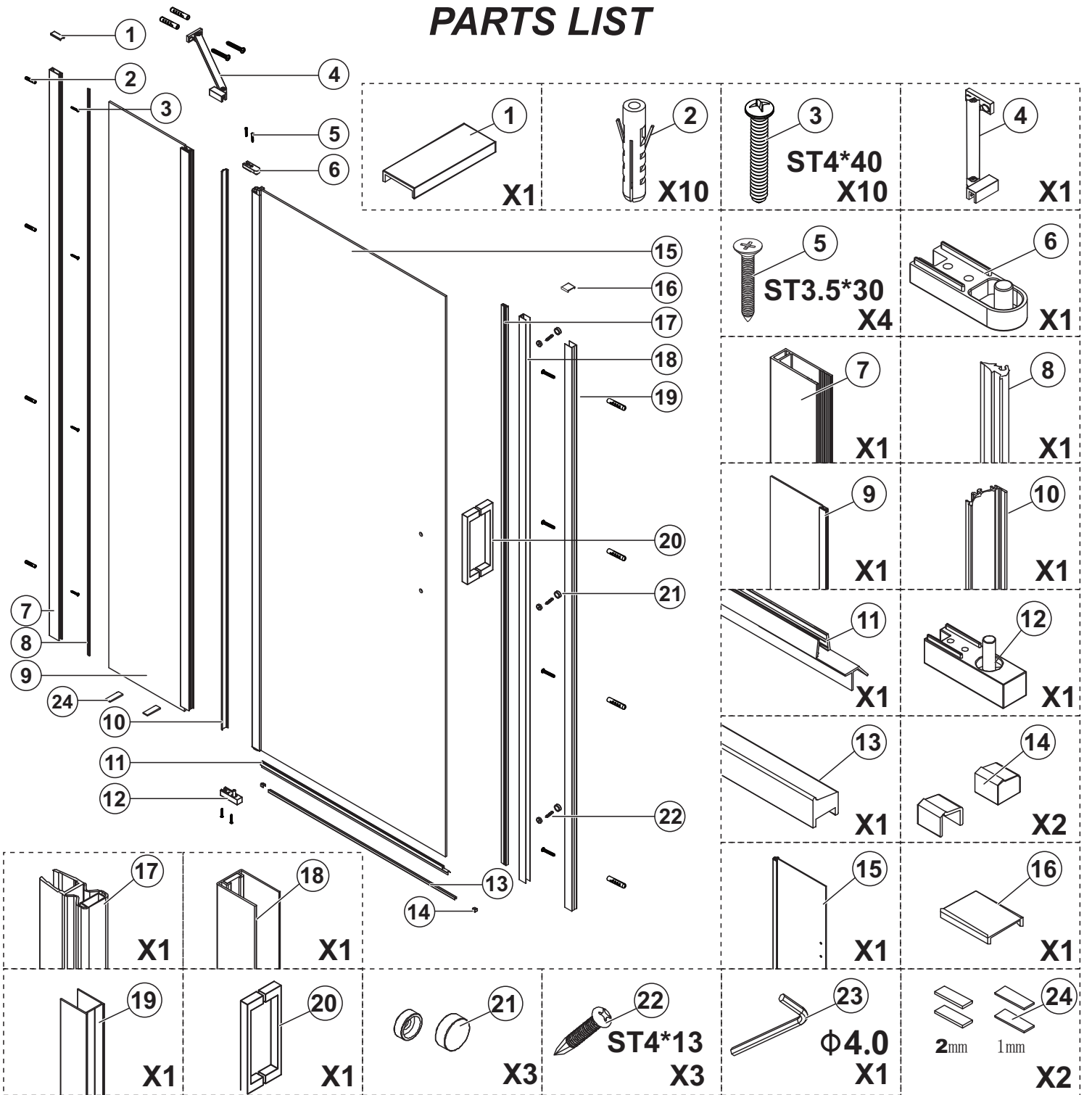
Glass shower enclosure
cleaning efficiency: conforming
impact resistance: conforming
operating life: conforming

Skleněné sprchové zástěny
schopnost: vyhovuje
odolnost proti nárazu: vyhovuje
životnost: vyhovuje

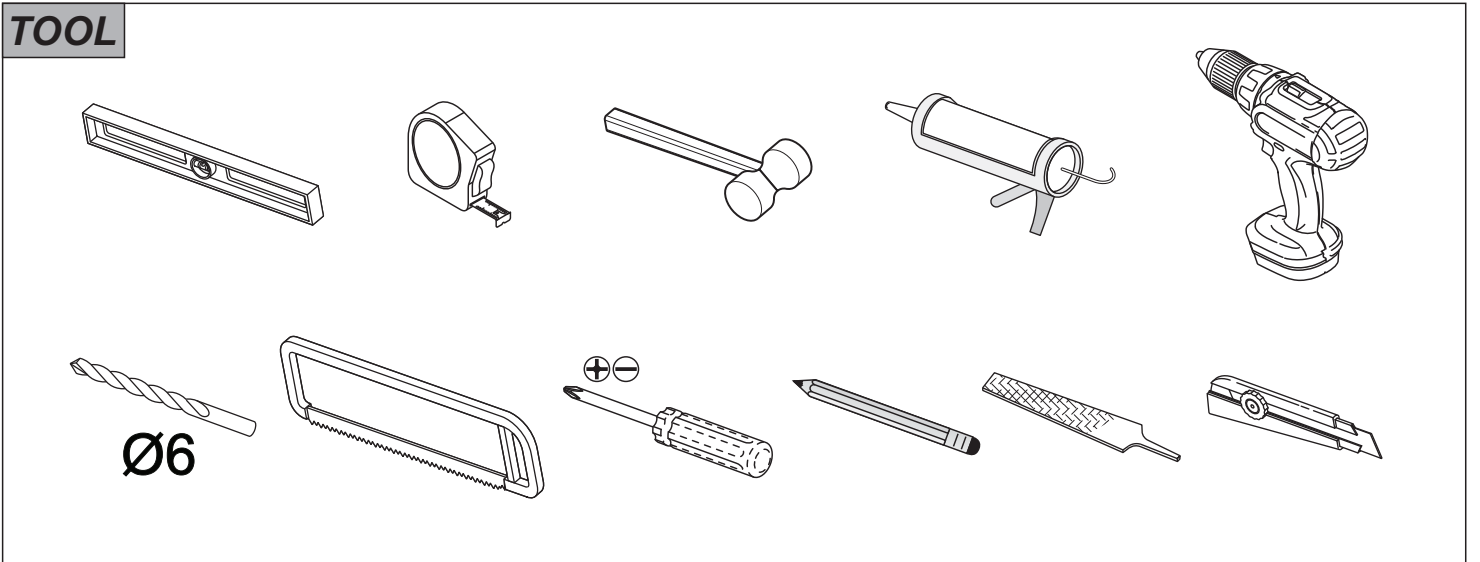
The logo for GELCO, featuring a stylized 'G' composed of two overlapping squares (one orange, one blue) followed by the word 'GELCO' in a bold, blue, sans-serif font.

GELCO s.r.o., Makovského 1341, 163 000 Praha 6

PARTS LIST

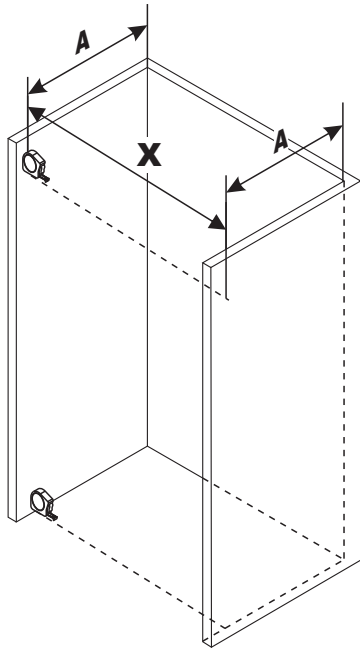


TOOL



INSTALLATION

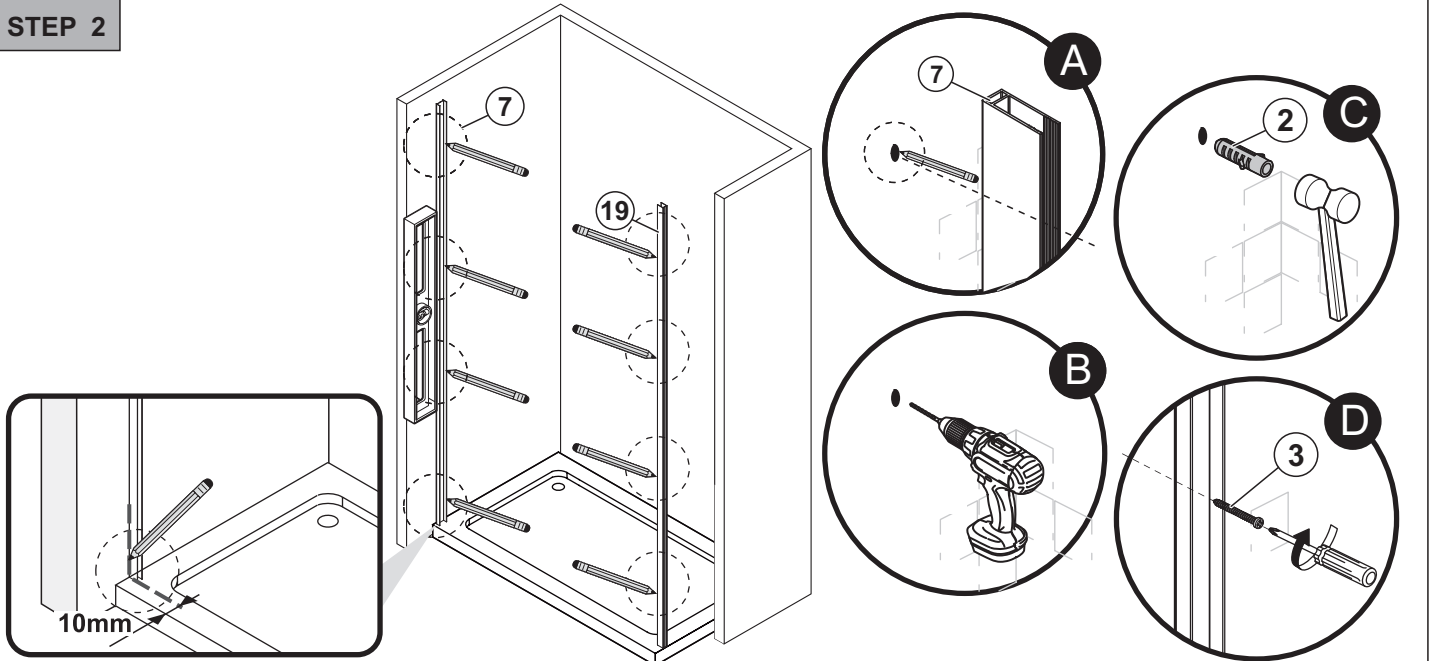
STEP 1



A=A

SIZE	X,mm
900X2000	875~905
1000X2000	975~1005
1100X2000	1075~1105
1200X2000	1175~1205

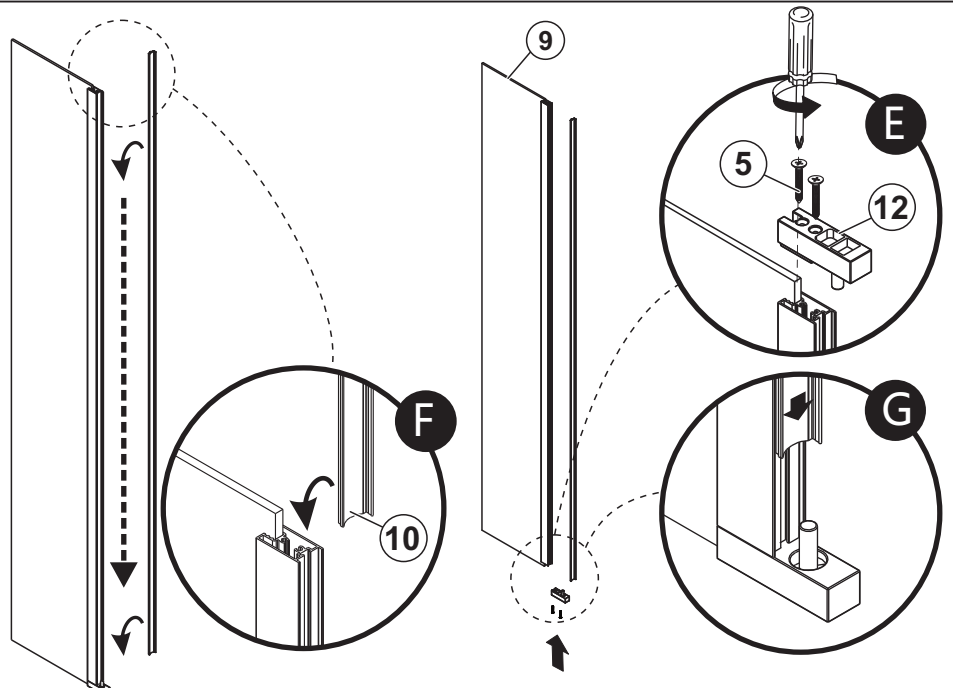
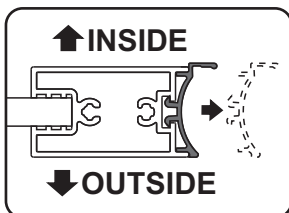
STEP 2



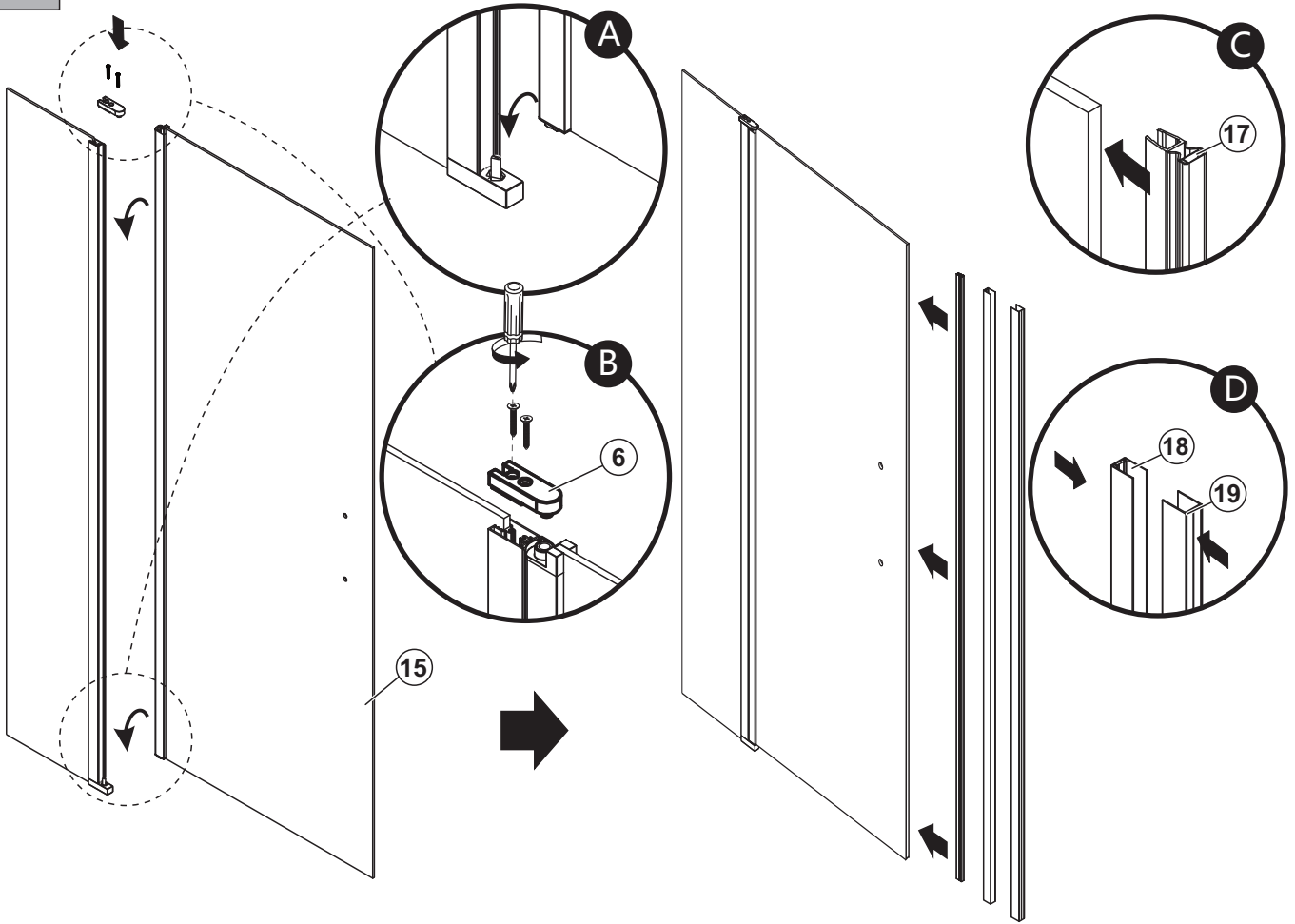
STEP 3

ATTENTION

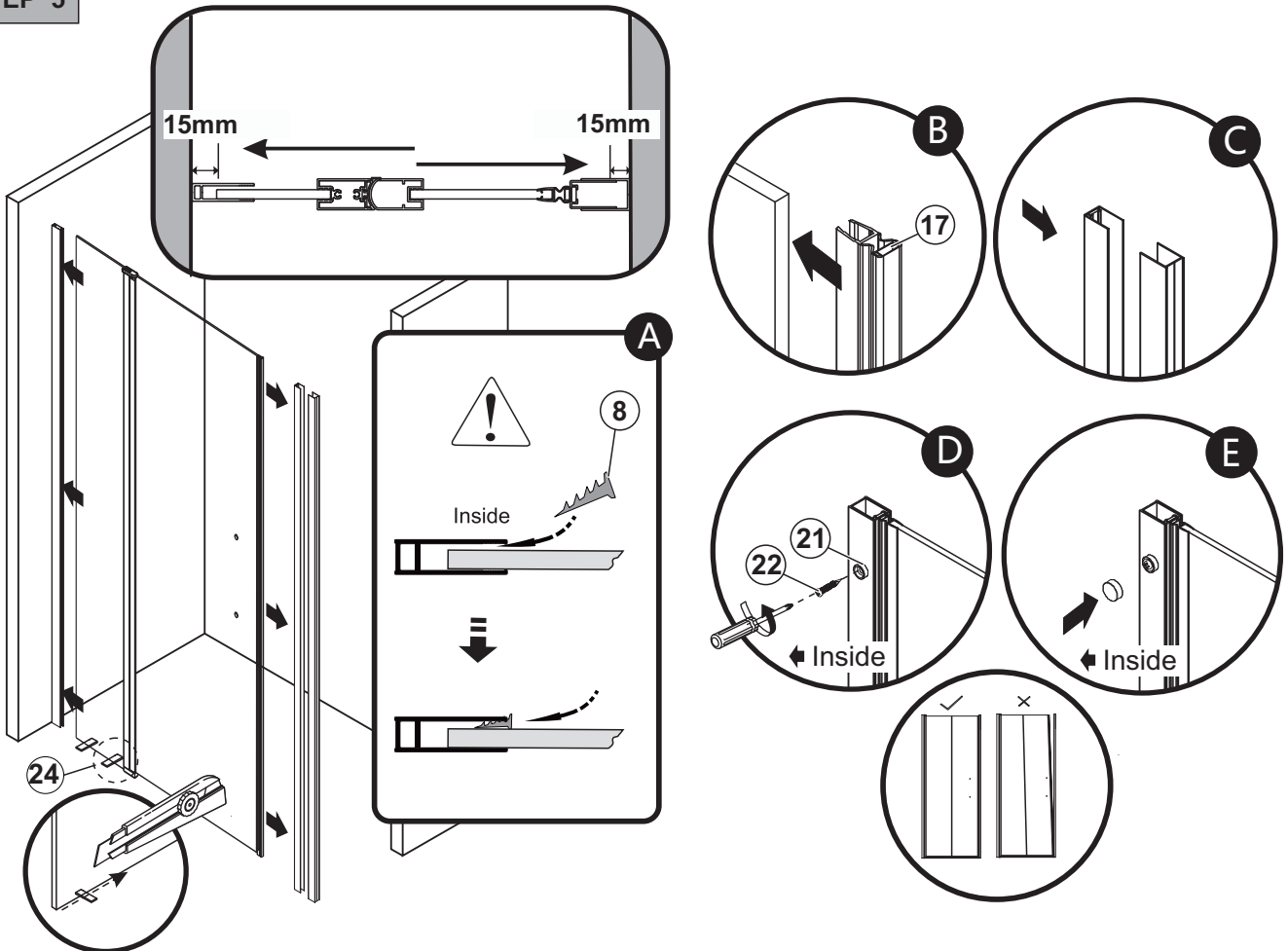
Keep the longer lip inside for water proofing



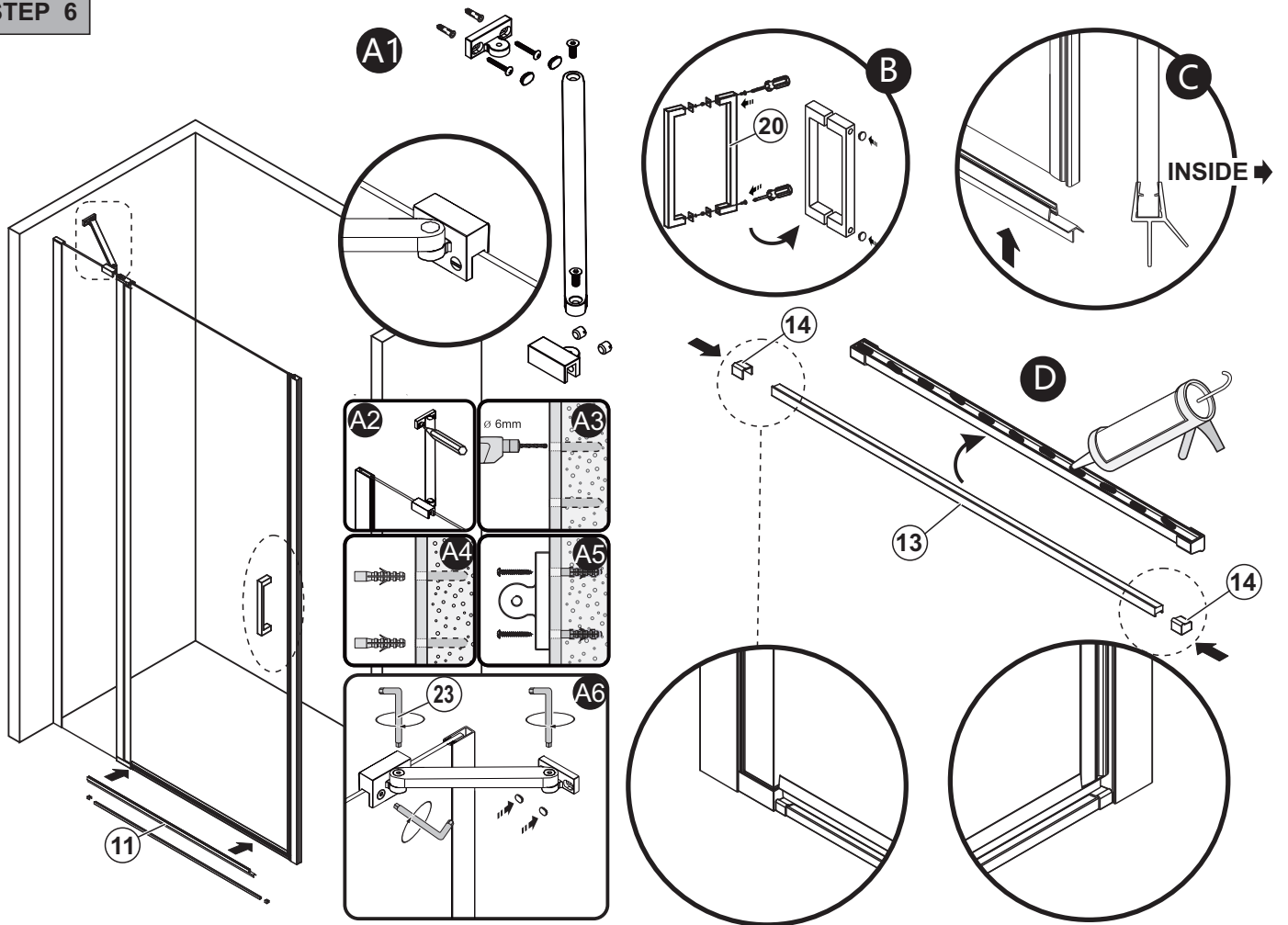
STEP 4



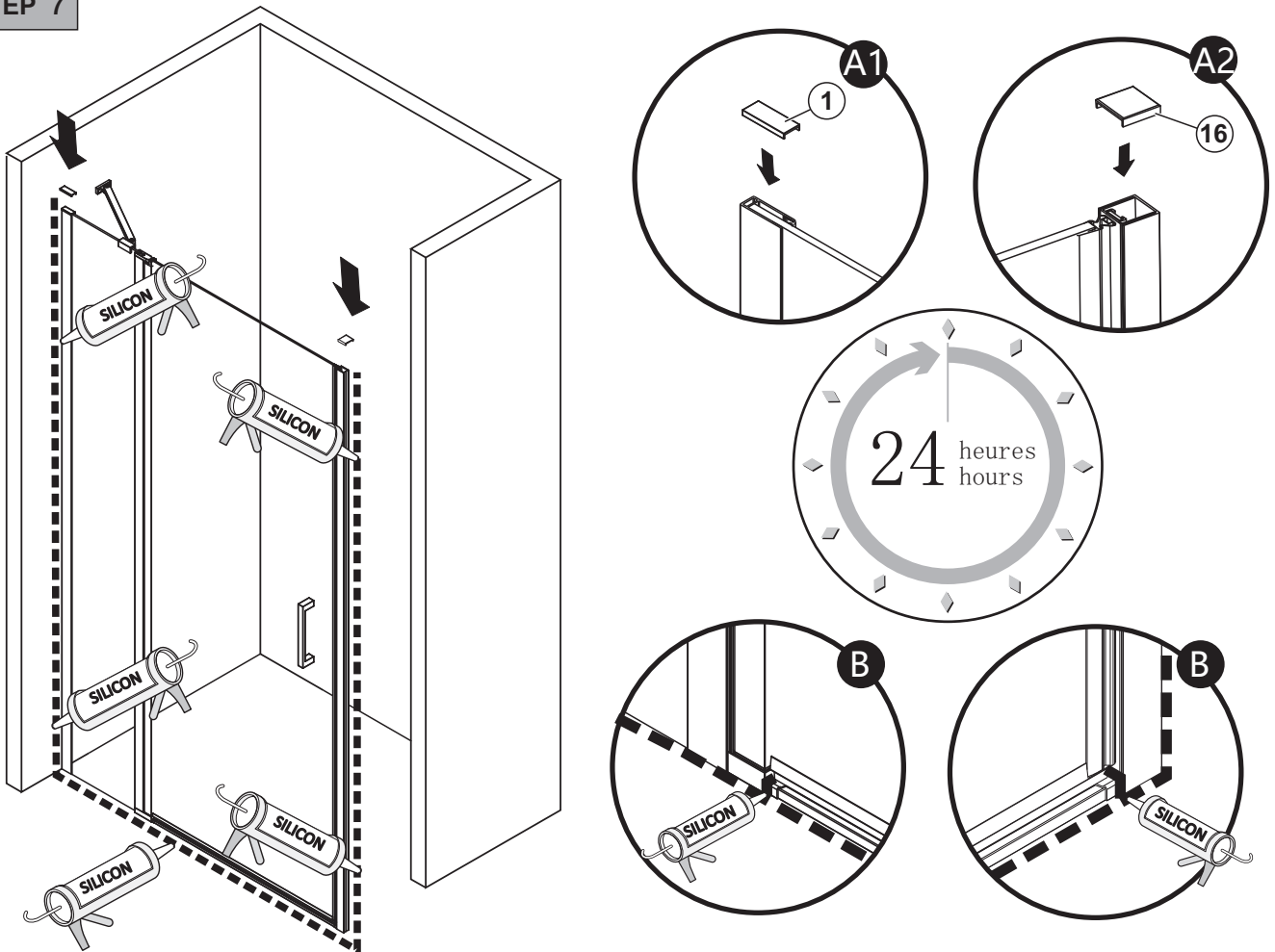
STEP 5



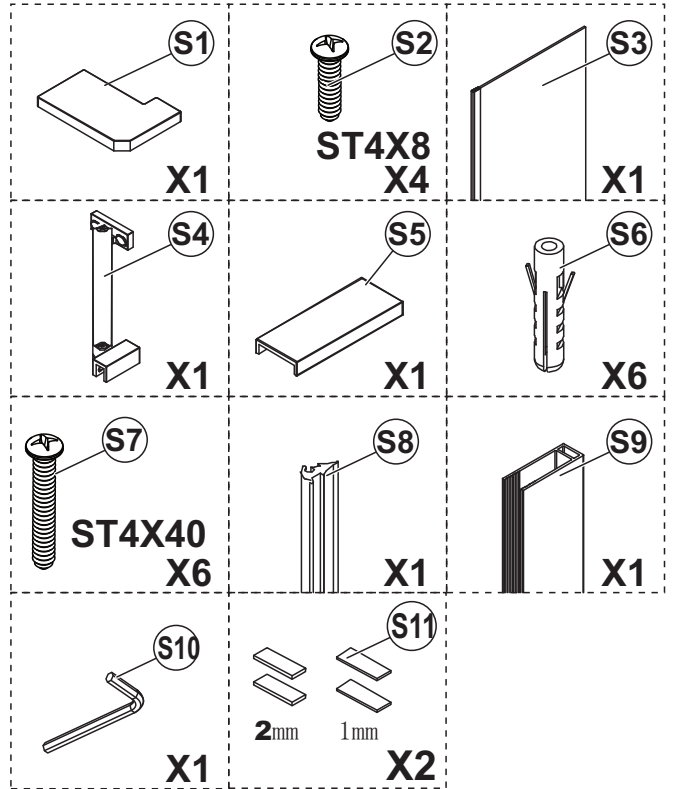
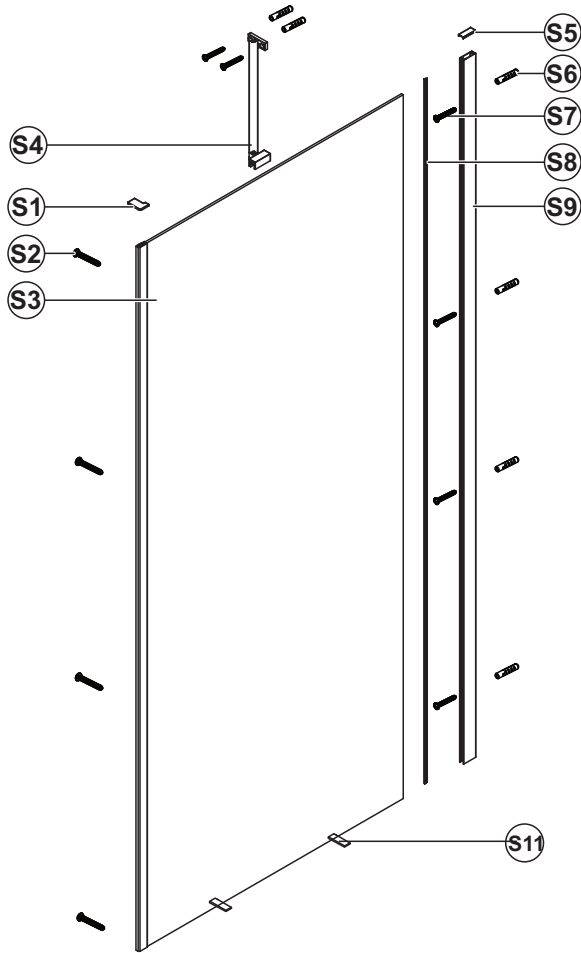
STEP 6



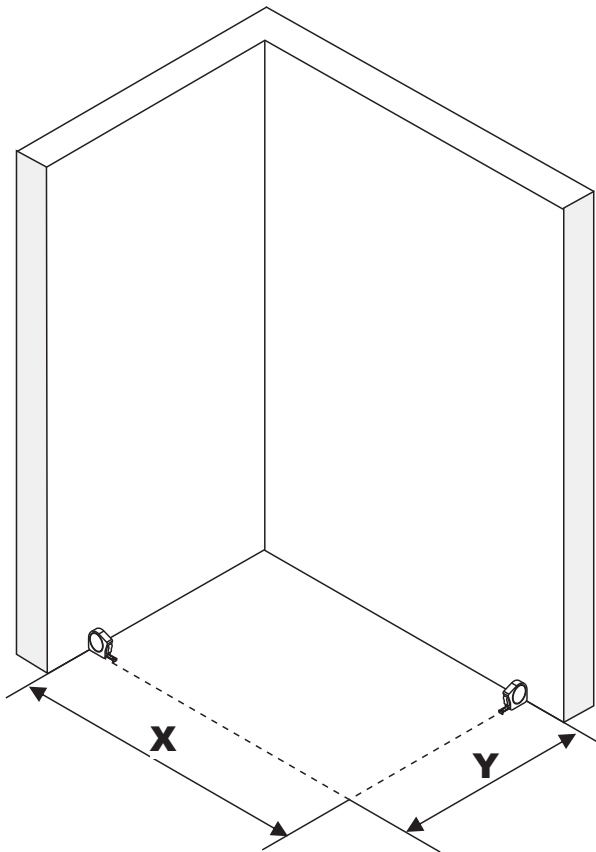
STEP 7



SIDE PANEL PARTS LIST



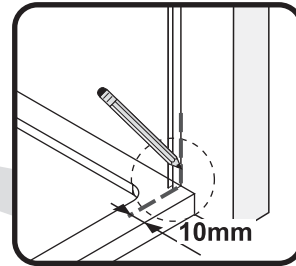
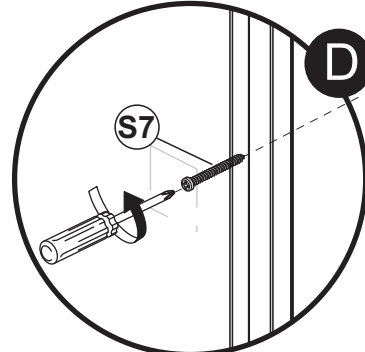
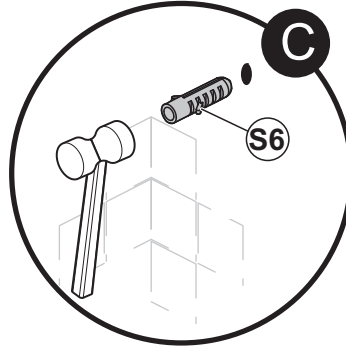
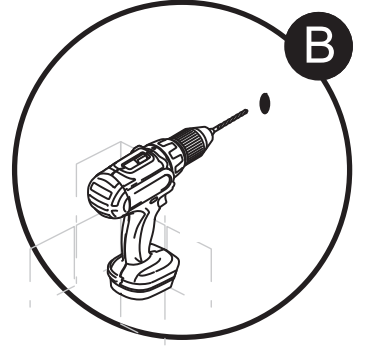
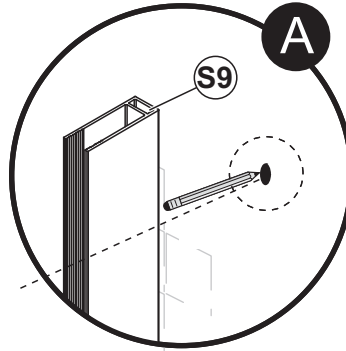
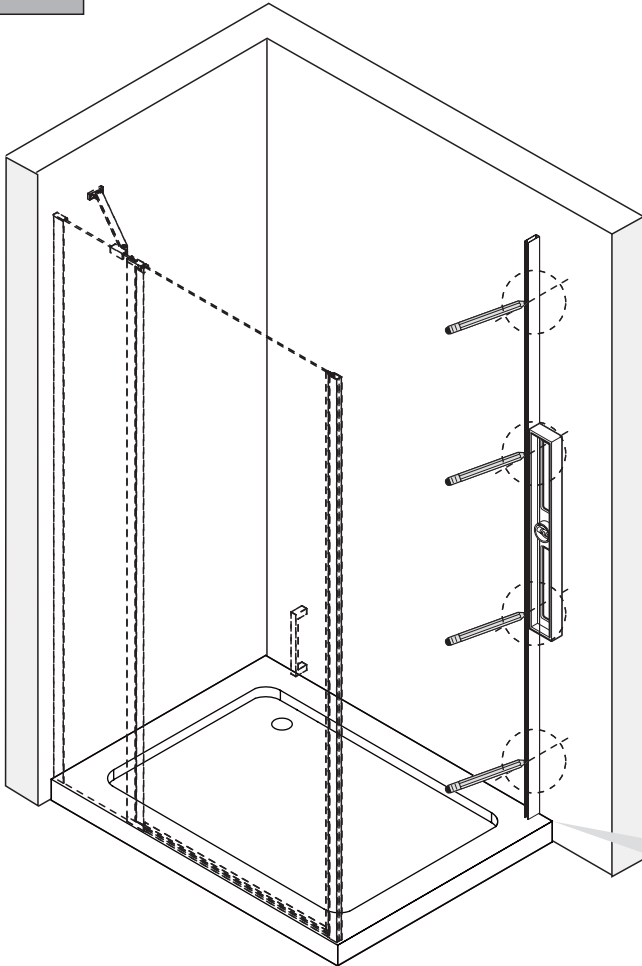
STEP 1



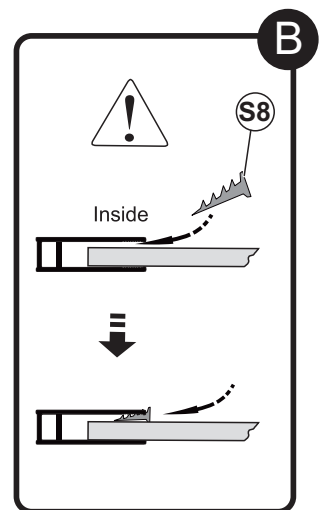
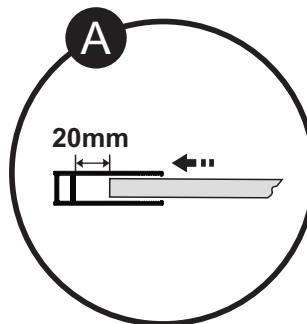
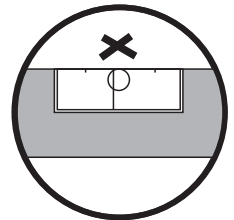
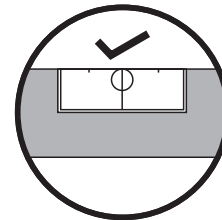
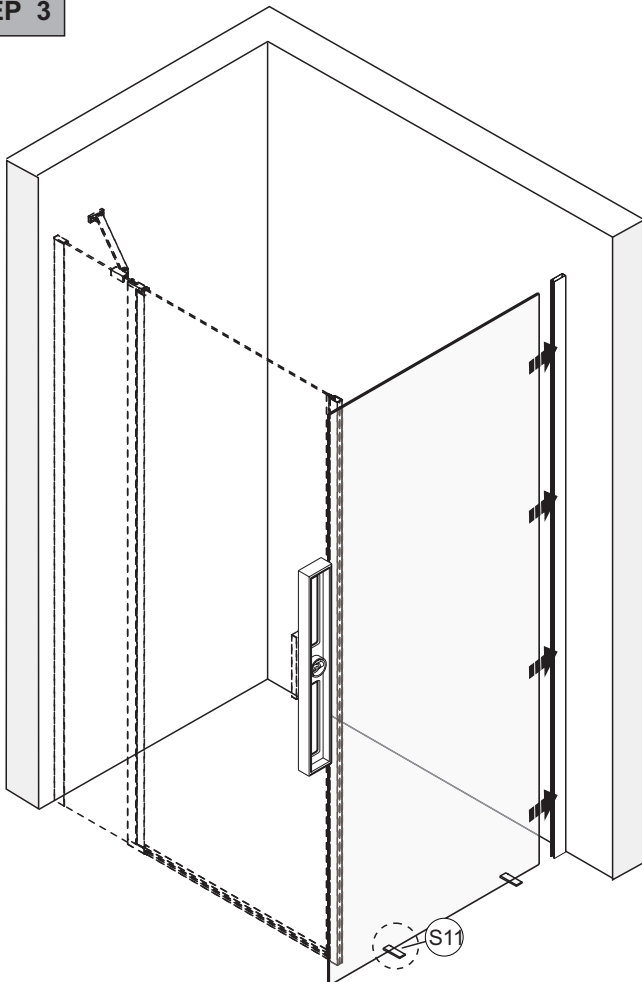
SIZE	X,mm
900X2000	885~915
1000X2000	985~1015
1100X2000	1085~1115
1200X2000	1185~1215

SIZE	Y,mm
800X2000	785~805
900X2000	885~905
1000X2000	985~1005
1200X2000	1185~1205

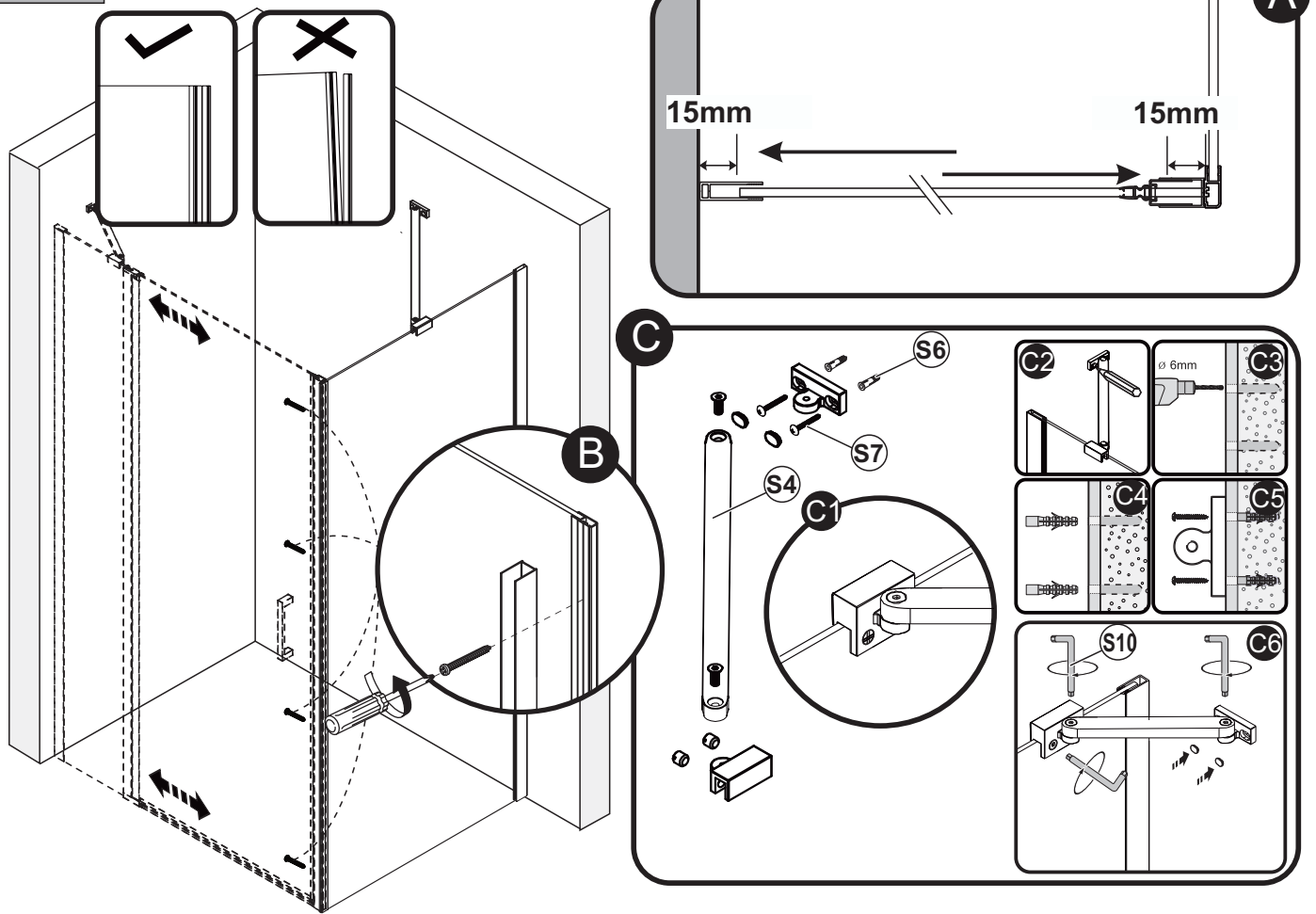
STEP 2



STEP 3



STEP 4



STEP 5

