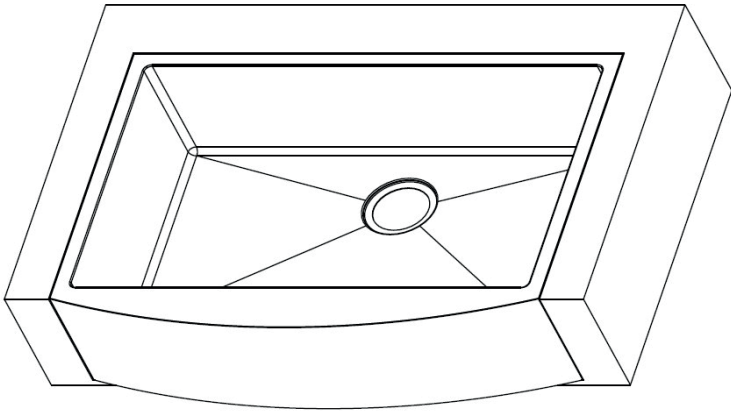




**ZN7050B**



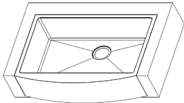
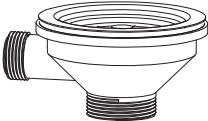
## **Fitting Instructions**

Please follow them carefully and  
leave this manual with end user

## Before you begin:

1. **We recommend that this product is installed by a qualified tradesperson.** Producer accept no liability for products incorrectly installed or any damage to the floor, walls, plumbing, sink, counter top, or personal injury during installation.
2. Observe all local plumbing and building codes & regulations.
3. Ensure the incoming mains water supply is switched off prior to commencing the installation.
4. For the following instructions, it is assumed that the in-wall/floor plumbing has already been prepared.
5. Unpack the product then read these instructions before proceeding. Inspect the product for damage. If any damage is found, contact our Customer Relations team.

## Items Included:

No.	Description	Picture	Qty
A	Kitchen Sink		1
C	Sink Strainer		1 (2 for double sink)

## Tools Required (Not Included):



Pencil



Silicone Sealant



Jig Saw

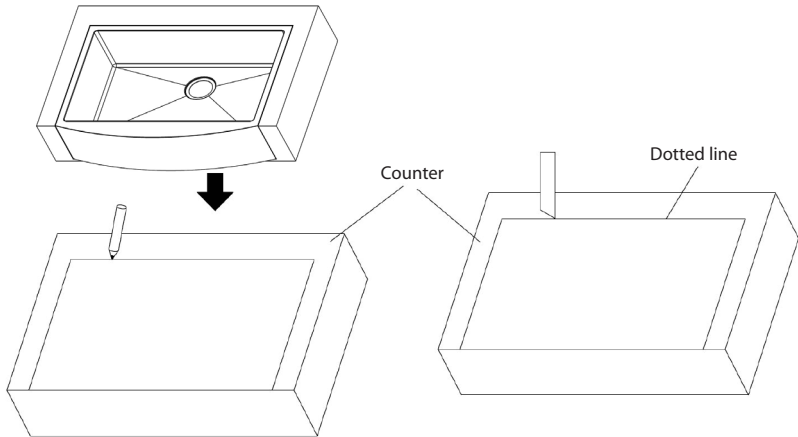


Damp Cloth

# Installation

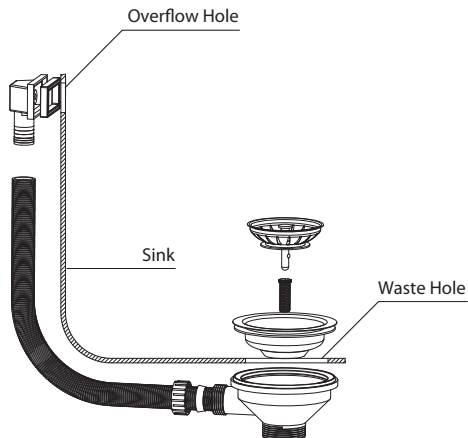
## Step 1: Preparation

- Place the basin in the desired location on the work surface and using a pencil, mark around the outer edge of the basin and waste hole.
- Cut out the work surface along the pencil lines using an appropriate saw/jigsaw.



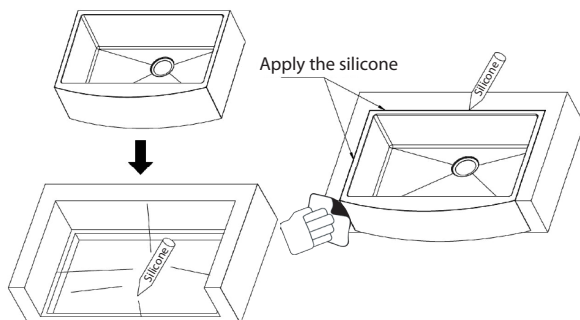
## Step 2: Install Sink Stainer

- Connect the pieces of the sink stainer. Proceed to fit the sink stainer to the basin.



### Step 3: Sink Installation

- Carefully apply a bead of good quality silicone sealant along the edge of the cut work surface.
- Place the basin into position and press down gently to ensure a secure fit.
- Finally, pipe a fine bead around the outer edge of the sink edge using a good quality silicone sealant in either a colour match or clear finish.
- Remove any excess silicone with a damp cloth. Let the silicone dry for 24 hours.



### Step 4: Connect the Waste Pipework

- Install the waste pipe and connect to the finished basin. Refer to the installation instructions for guidance.

### Maintenance:

We recommend that you regularly clean your sink with a soft cloth and warm soapy water. Rinse and dry after cleaning, this is extremely important for areas with hard water. Refrain from using acidic household cleaners, wipes with harsh chemicals, or abrasives, as these will damage the sink.



UBC s.r.o.  
Mělnická 87, 250 65 Bořanovice, Pakoměřice, Czech Republic  
IČ: 27146987 | DIČ: CZ27146987

Tel.: +420 283 090 760 | Fax: +420 283 090 761  
E-mail: info@sapho.cz | Internet: www.sapho.cz