

## 1. CONSTRUCTION READINESS

Recommended location of waste, electrical connection and bath filling – see the technical sheet of the corresponding bath at [www.polysan.cz](http://www.polysan.cz).

The bathtub must be installed on tiles and must be properly secured on all legs of the support frame.

The wall fixing clamps are only used for fixing the bathtub to the bathroom walls.

Under no circumstances may the bathtub hang loosely by its edges on these clamps!

### Waste:

The waste in the floor must be made through a 40 mm diameter pipe with a 150 mm long drain at floor level approximately 250–300 mm from the bath waste.

### Wiring:

The installation of the bathtub shall only be carried out by a qualified person, the electrical connection of the bathtub must comply with the applicable technical and safety standards and an inspection report must be issued.

Separate protection of the power supply with a 30mA current protector according to Article 5/P4 of ČSN 332140

Electrical cable: CYKY 3x2.5 mm<sup>2</sup>, cable length from wall 2 m      Voltage: 220-230 V / 50 Hz

Grounding: Cu Ø 6 mm<sup>2</sup> at least 2 metres in length

Maximum power consumption: 1600 W

### Handling the bathtub during transport and installation:

The bathtub can only be manipulated by grasping the edges of the tub. It is strictly forbidden to grasp the bathtub by the components of the whirlpool system.

### Fitting and wiring of the bathtub:

The installation and wiring of the bath can only be carried out by a person with a valid certificate and includes the connection of the bath to waste, water supply and electrical network (including grounding). Confirmation of the warranty certificate with the date of installation is a prerequisite for claiming the warranty. The bathtub shall not be permanently tiled to ensure that access to the individual components of the massage system remains intact without disturbing or damaging the bathtub fitting.

## 2. OPERATION AND MAINTENANCE

### Access panels / Air Vent Grille:

Recommended dimensions:	Access Panel:	400 x 400 mm
	Bath Trap Access Panel:	200 x 200 mm
	Air Vent Grille:	at least 20 cm <sup>2</sup> (not necessary if acrylic panel is used)

### Whirlpool Bath Operation:

Fill the bathtub with water approx. 5 cm above the upper nozzles. The operation of the hydromassage system is specified in the controller specification.

The recommended bath temperature is 36 °C. Take a thorough shower before using the bath. The bath itself should last 15–20 minutes. The maximum bath time is preset to 25 minutes.

Pregnant women and people with severe physical disabilities are allowed to use the massage system for a maximum of 10 minutes in the presence of another person.

Children must always be supervised by an adult in the bath. It is forbidden to use the bath under the influence of alcohol, drugs or other intoxicants. Persons whose medical condition requires regular medication should consult their physician before using the massage system.

Do not enrich the water with bath foam.

### **Care and maintenance:**

Use only liquid cleaning agents for cleaning. It is forbidden to use abrasives, cleaning sands, thinners, organic solvents and other aggressive chemicals!

For the maintenance of the bathtub we recommend POLYSAN Hydro Massage Bathtub Treatment with reduced foaming. Fill the bath with lukewarm water about 5 cm above the nozzles and follow the instructions on the product label.

### **Other:**

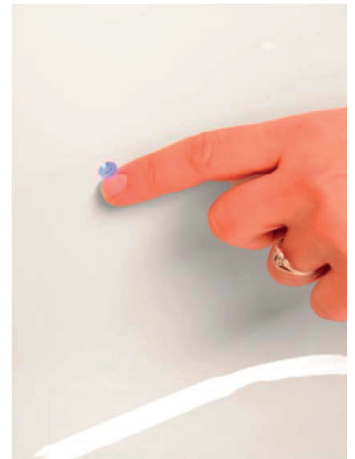
It is prohibited to perform any electrical maintenance unless the tub is disconnected from the electrical service or filled with water. Any unauthorized tampering with the tub system is grounds for immediate termination of the warranty. We recommend connecting the bathtub to waste using a flexi trap.

## **3. OPTIONAL ACCESSORIES**

### **Lighting:**

All POLYSAN whirlpool baths can be equipped with lighting from the current range at an additional cost.

For further specifications of the lighting control, please refer to the hydromassage system control.



## **4. POSSIBLE ISSUES**

### **The water pump does not start**

Check the electricity supply and that the circuit breaker and the residual current device are switched on. If the bathtub is equipped with water level indicator, check the water level and refill the bathtub if necessary.

### **Water circulating without pressure**

Check the suction grille or massage nozzles for blockages.

### **Unusual behavior of Electronics**

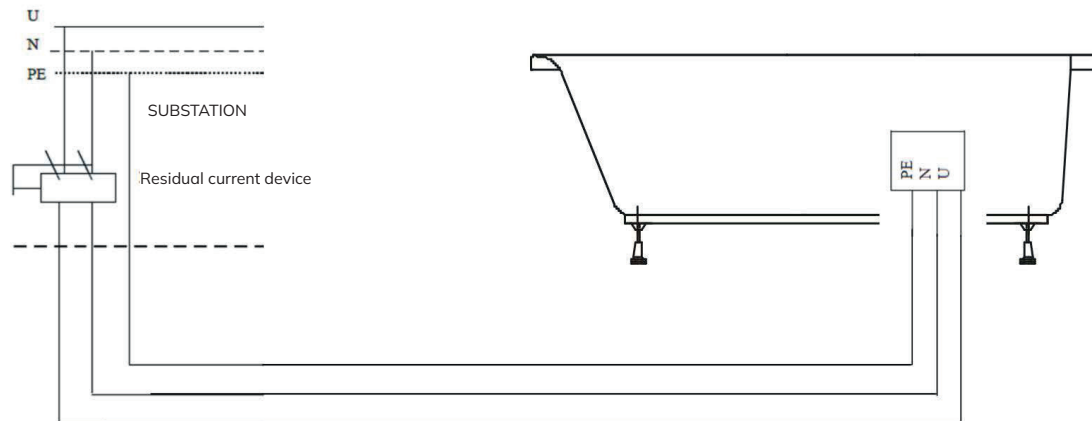
If the control electronics behave in a non-standard way, the power supply to the entire bath should be switched off and then switched on again after a while.

### **Leakages and other issues**

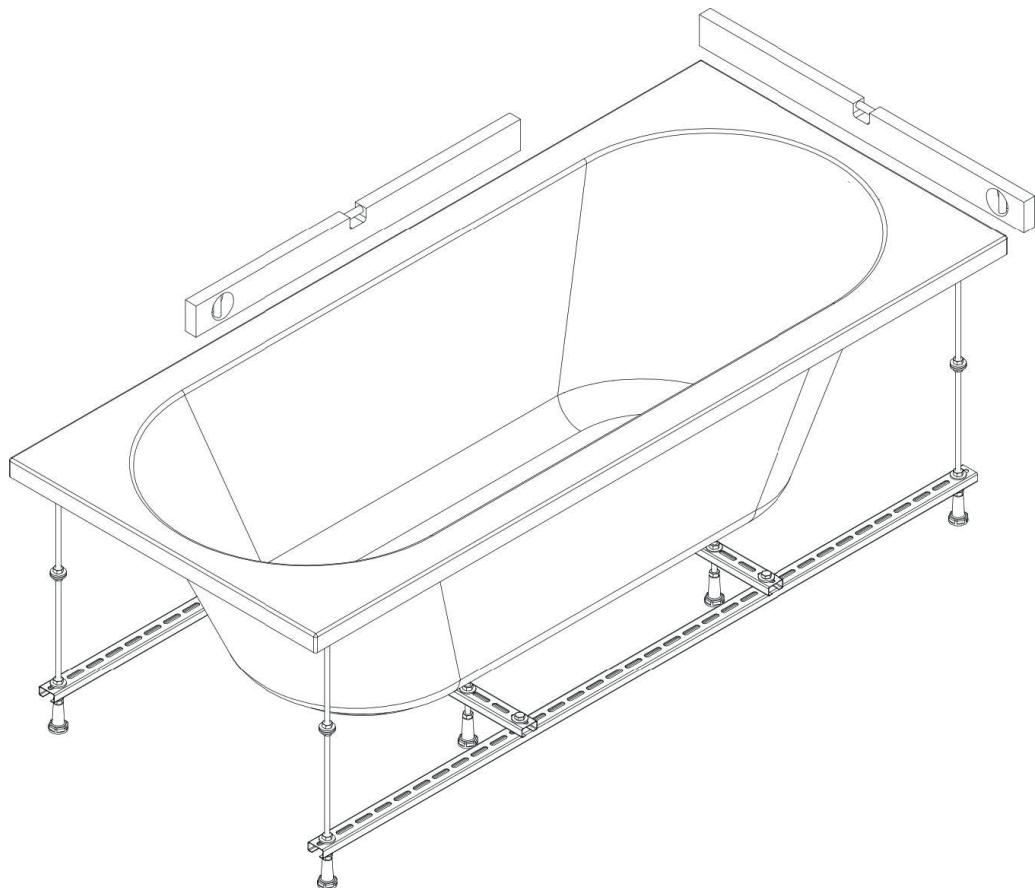
In case of any problems, please contact the manufacturer's service organisation.

## 5. SCHEMES

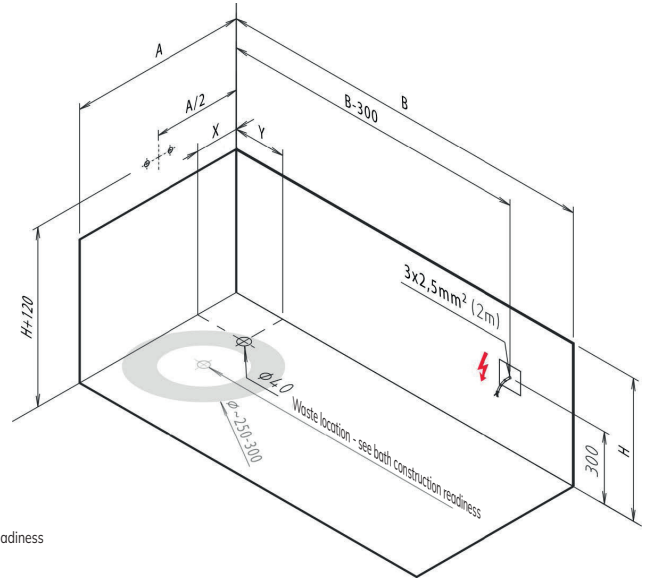
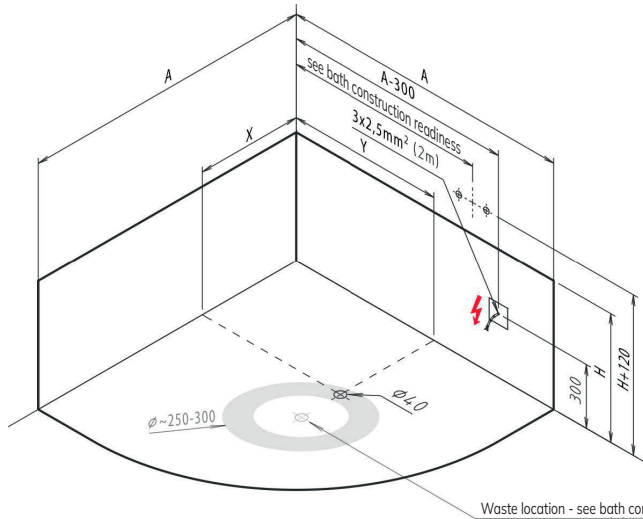
### Wiring:



### Aligning the bathtub with a spirit level:

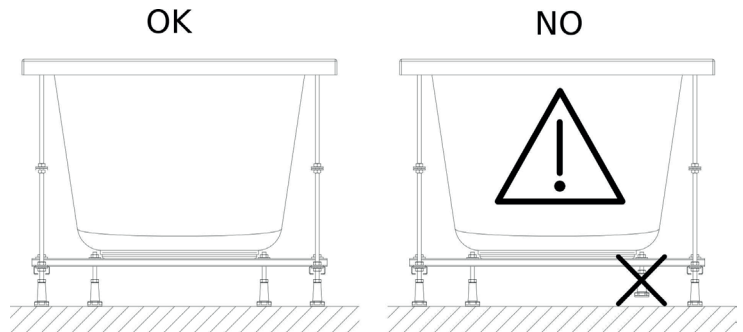
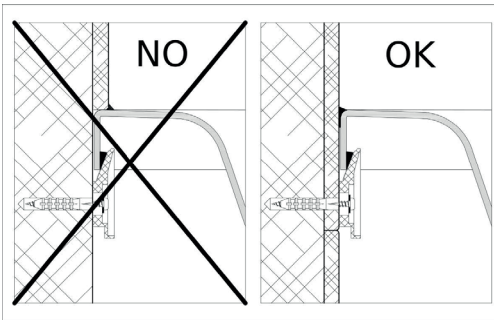


# Construction readiness:



A, B ..... tub dimensions (see tub datasheet)  
 H ..... tub height (see tub datasheet)

X, Y ..... waste location



**Polysan s.r.o.**  
 Nesměřice 52  
 285 22 Zruč nad Sázavou

tel.: +420 327 585 981  
 e-mail: info@polysan.cz  
 www.polysan.cz