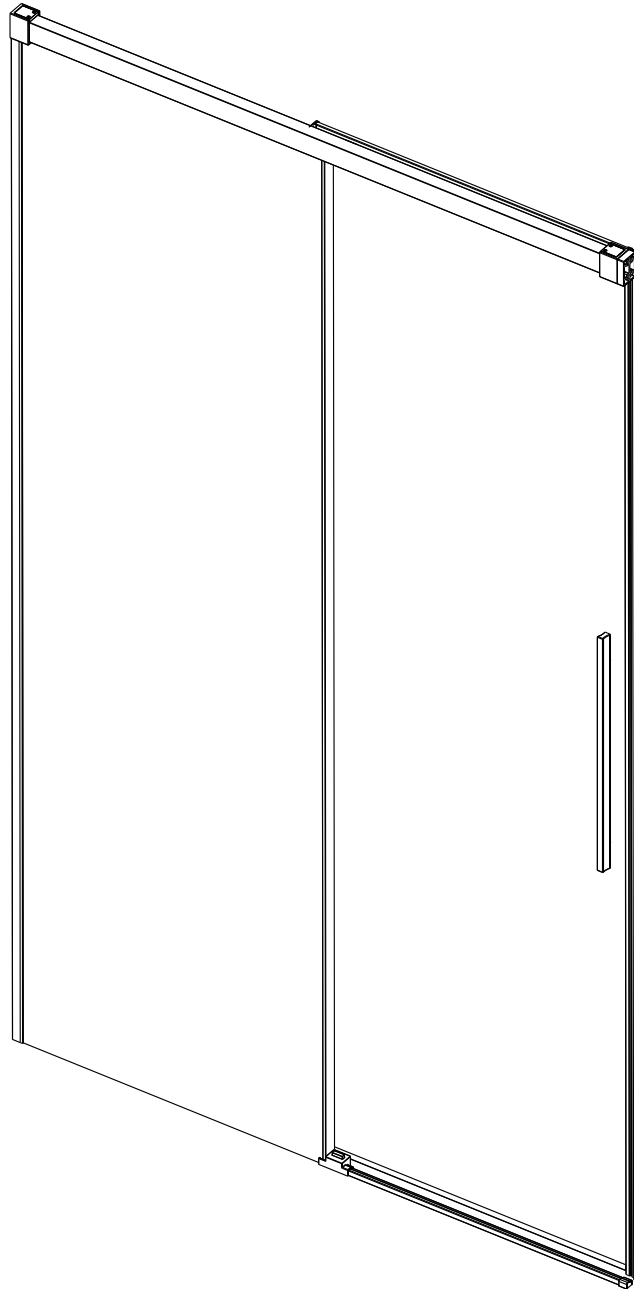


LUXOR

GU1210, GU1211, GU1212, GU1213, GU1214, GU1215



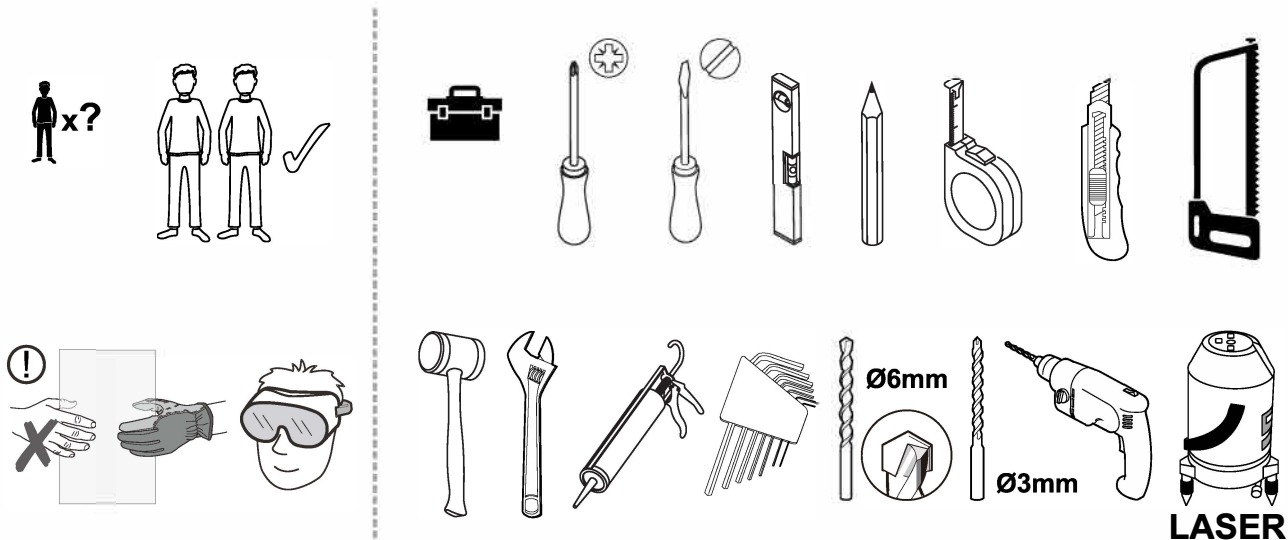
EN14428
Glass shower enclosure
cleaning efficiency: conforming
impact resistance: conforming
operating life: conforming

Skleněné sprchové zástěny
schopnost: vyhovuje
odolnost proti nárazu: vyhovuje
životnost: vyhovuje

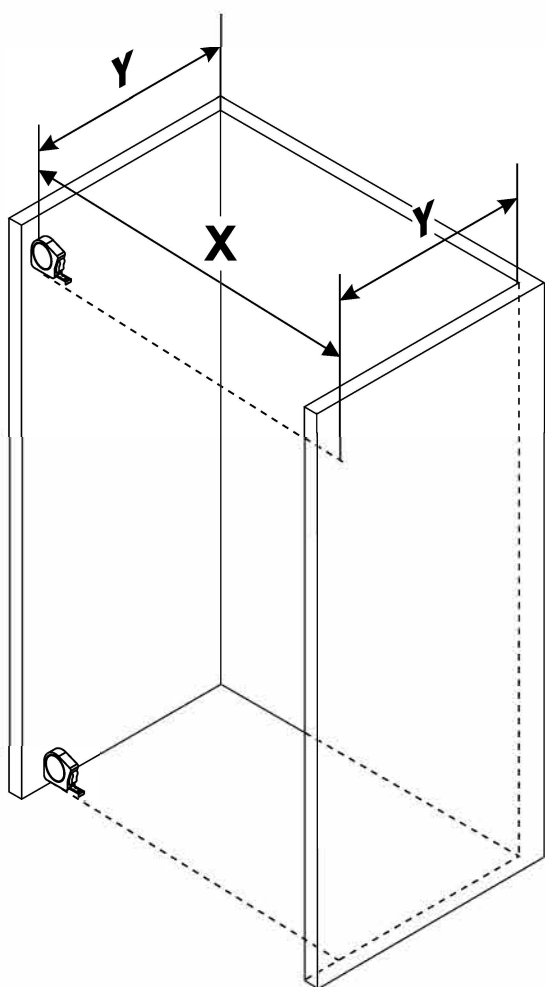
The logo for GELCO, featuring a stylized 'G' composed of blue and orange squares followed by the word 'GELCO' in a bold, blue, sans-serif font.

GELCO s.r.o., Makovského 1341, 163 000 Praha 6

TOOLS

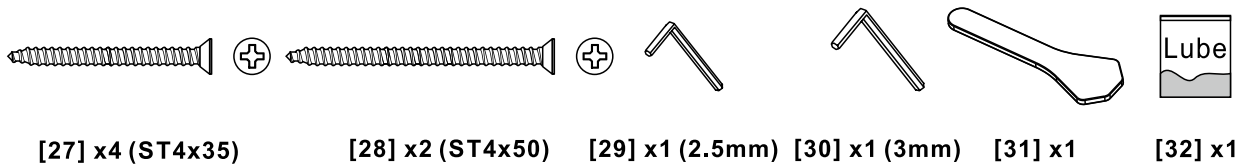
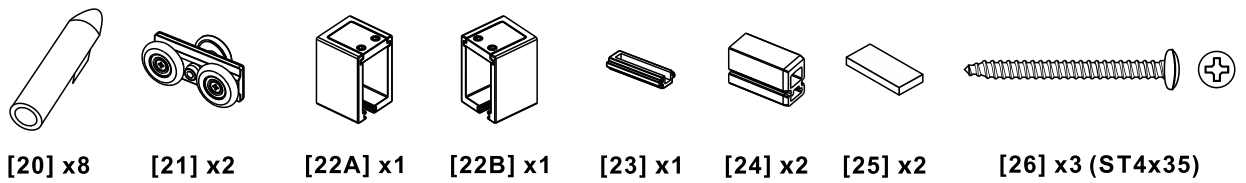
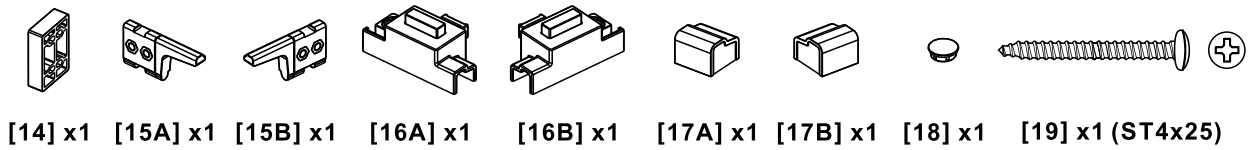
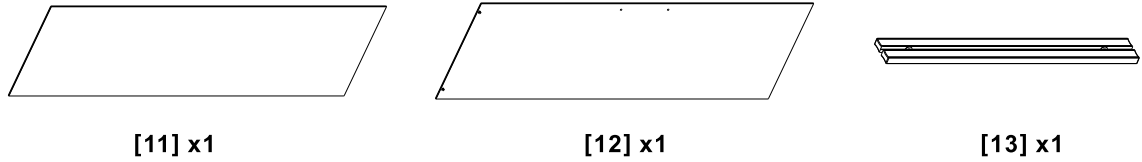
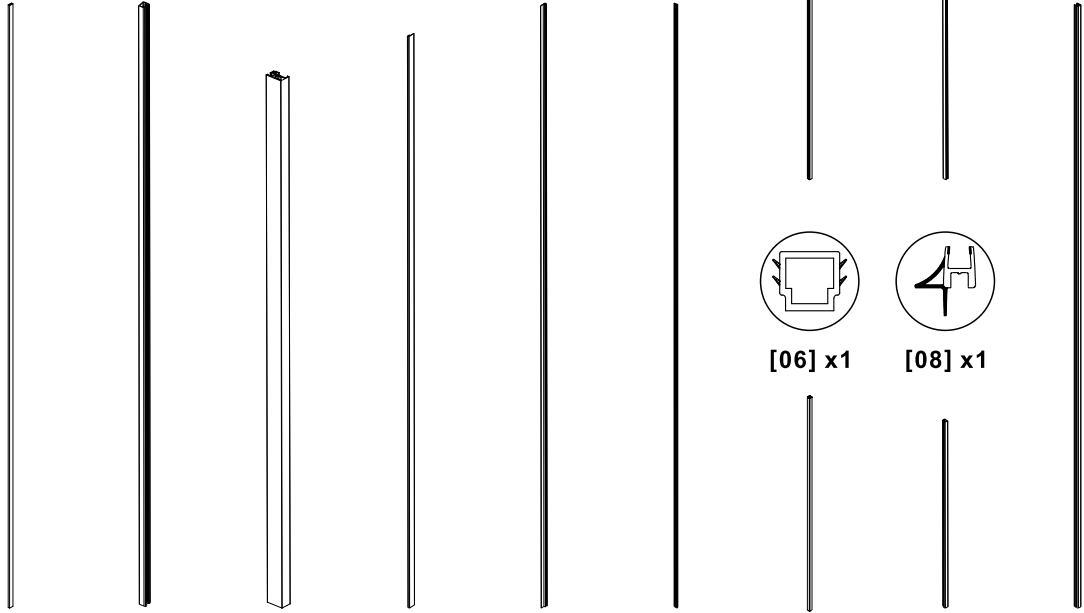


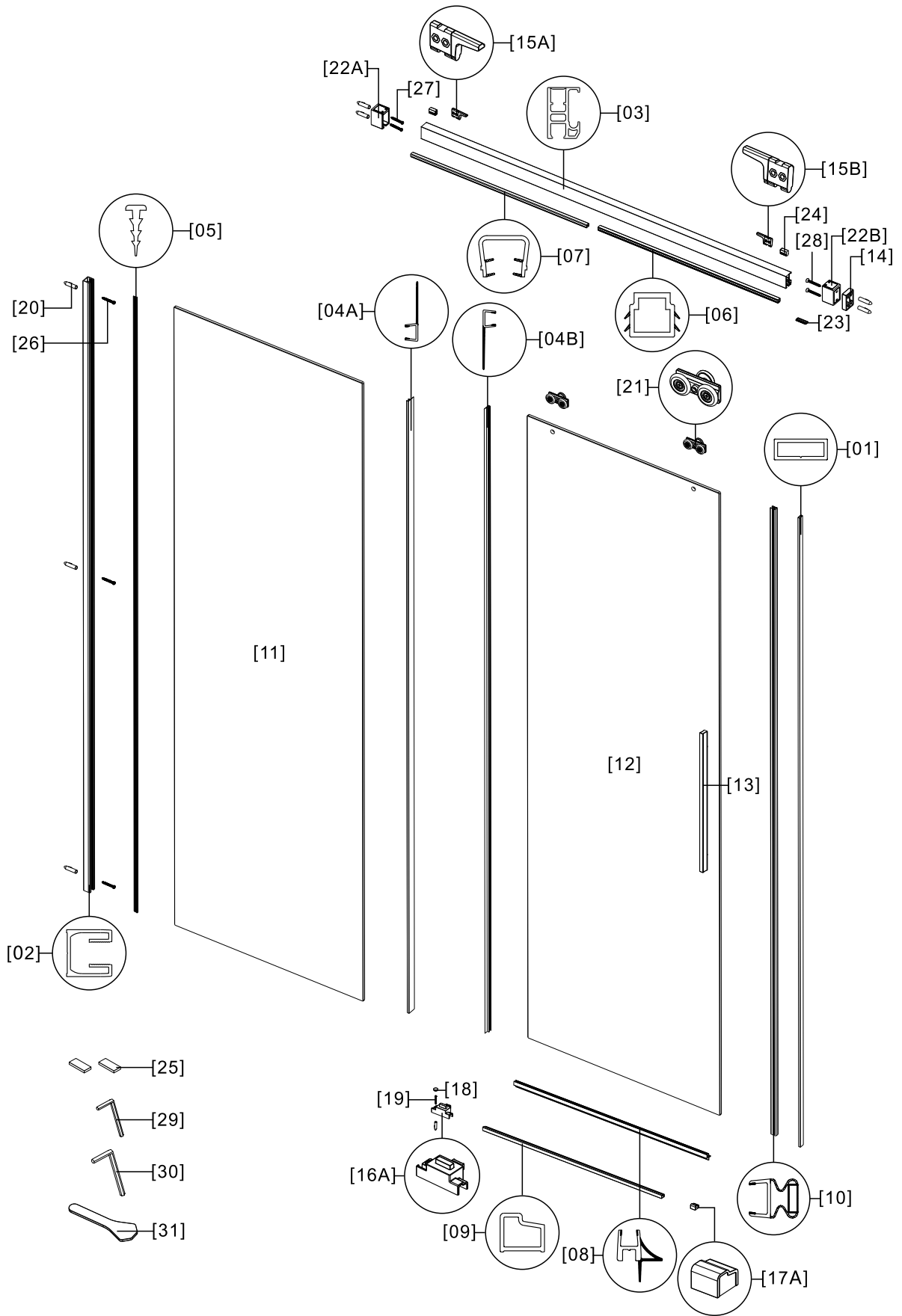
INSTALLATION



Y=Y

SIZE	X,mm
1000x2000	985-1005
1100x2000	1085-1105
1200x2000	1185-1205
1300x2000	1285-1305
1400x2000	1385-1405
1500x2000	1485-1505



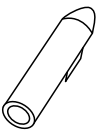




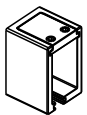
01



[02] x1



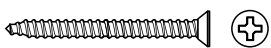
[20] x5



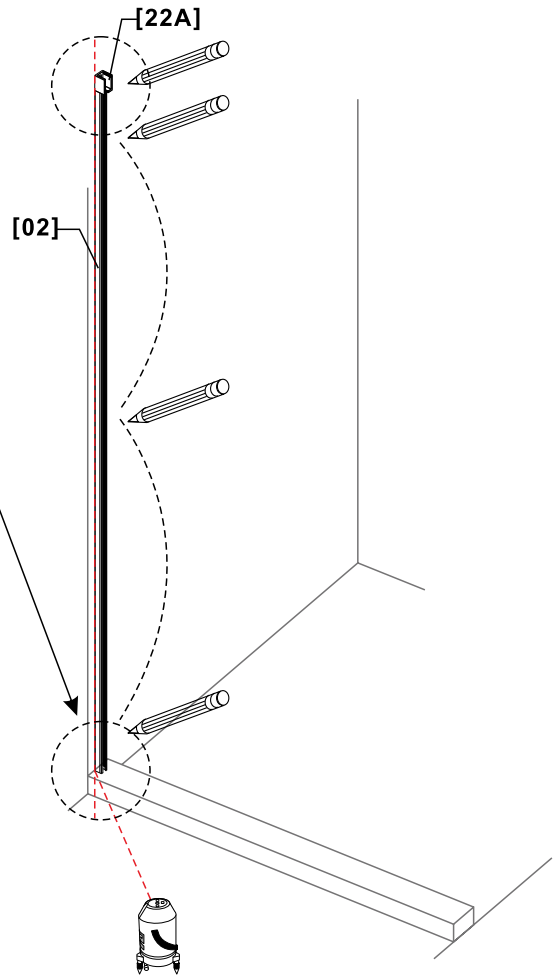
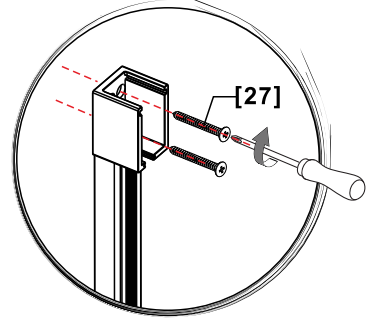
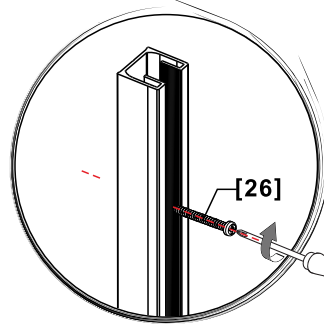
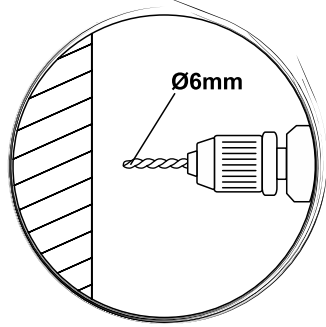
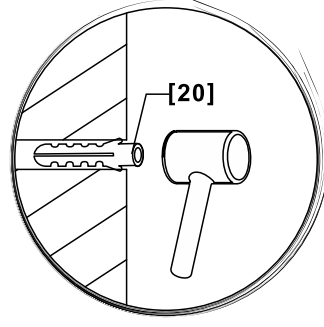
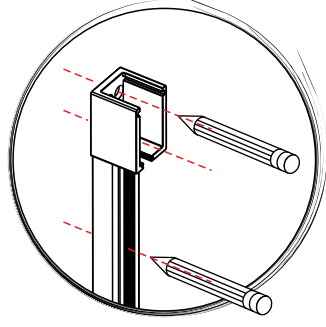
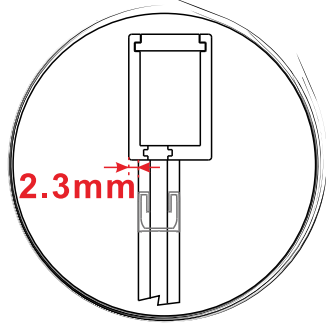
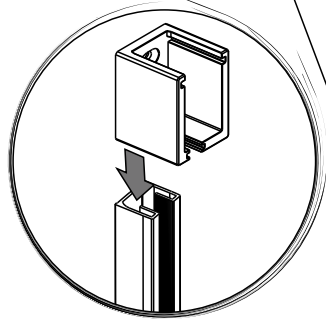
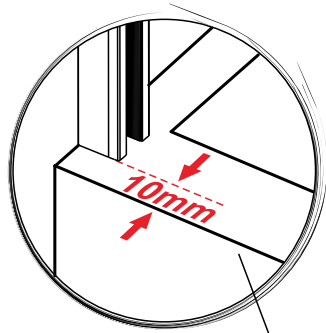
[22A] x1



[26] x3 (ST4x35)



[27] x2 (ST4x35)



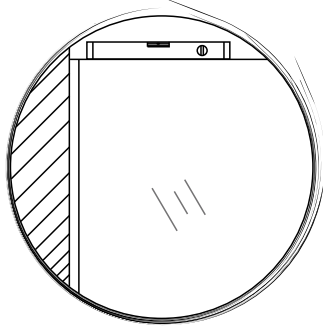
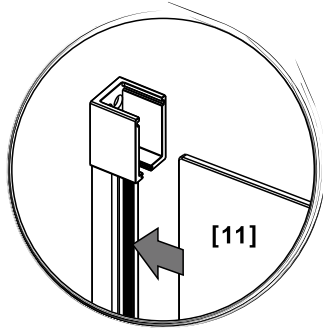
02



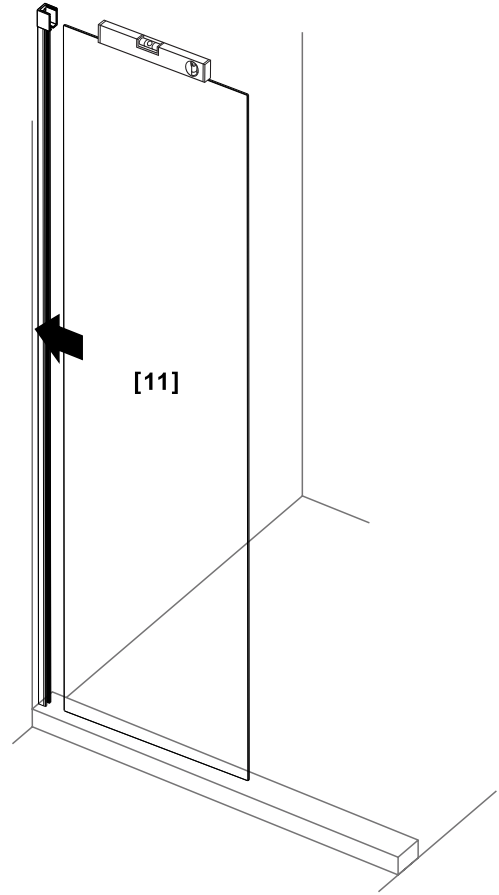
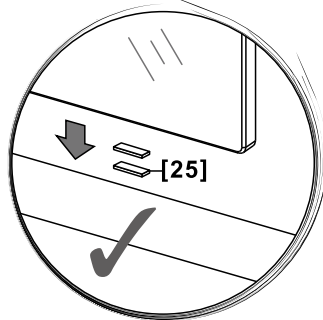
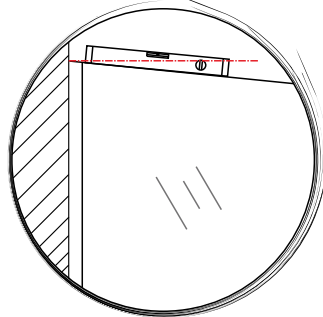
[11] x1





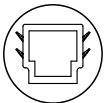


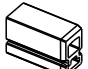
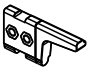
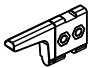
[25] x2

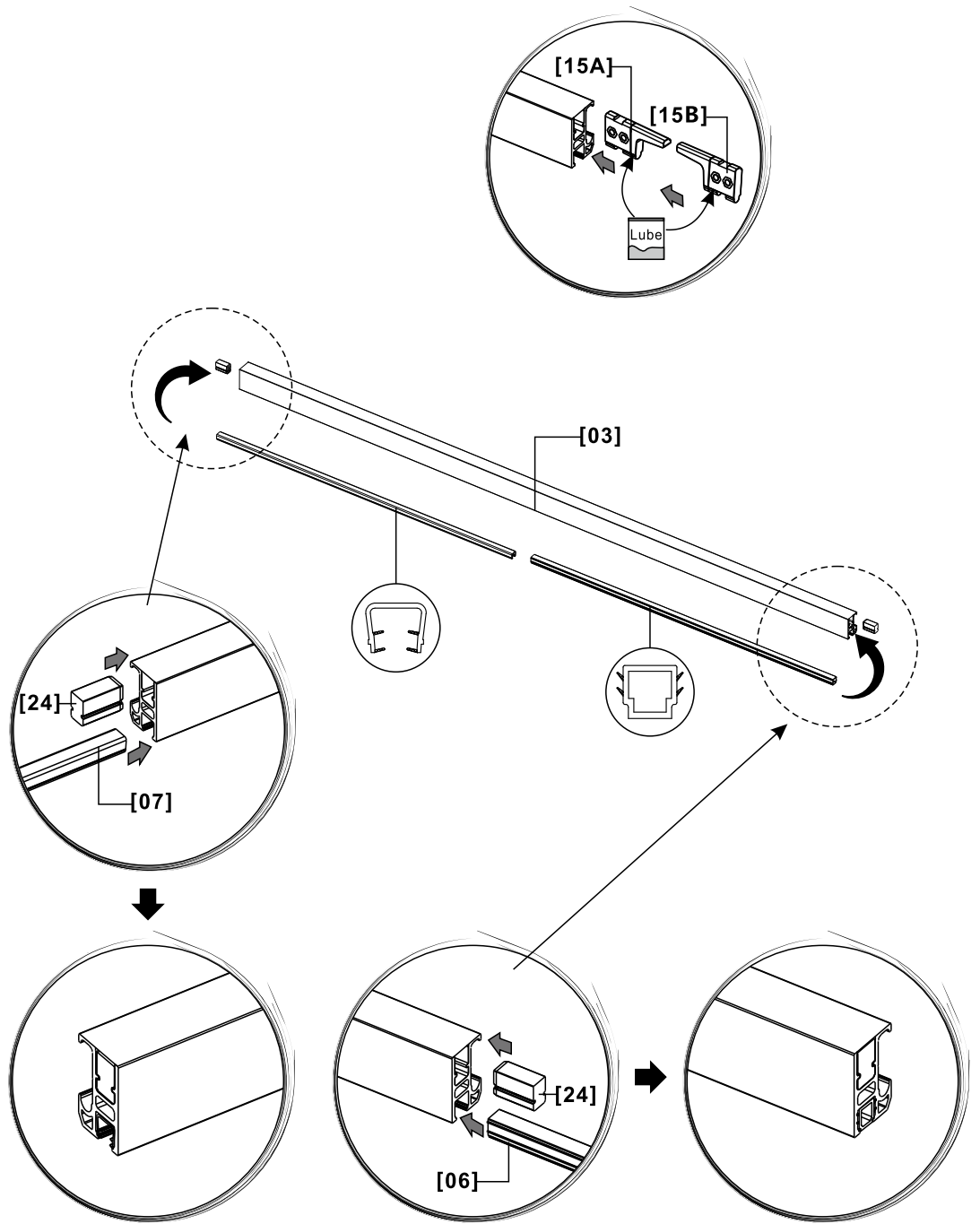


OR



03

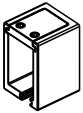
- 
- 
-  [06] x1
-  [03] x1
-  [07] x1
-  [24] x2
-  [15A] x1
-  [15B] x1



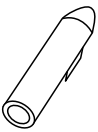
04



[14] x1



[22B] x1



[20] x2



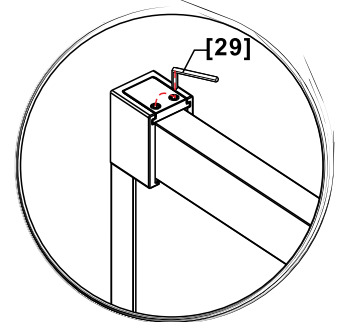
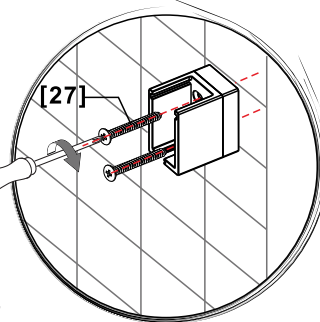
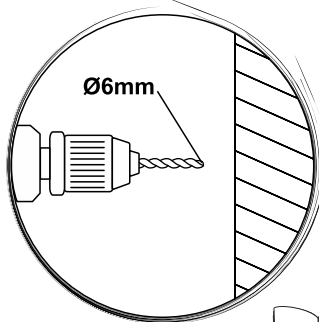
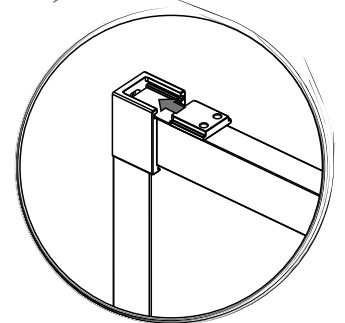
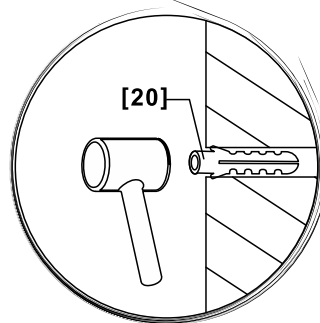
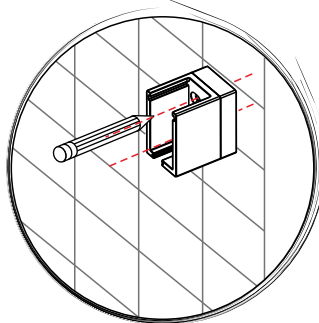
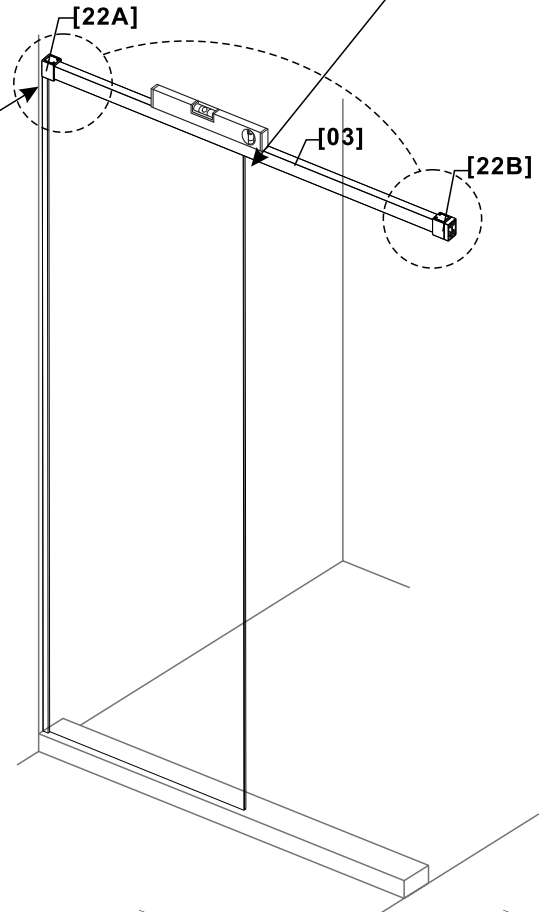
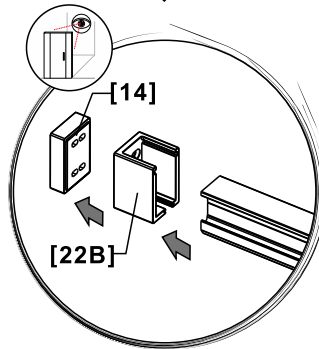
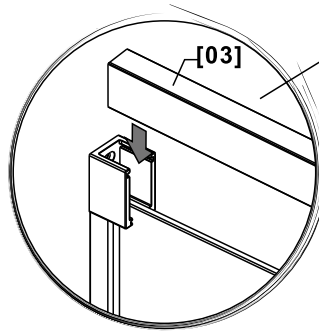
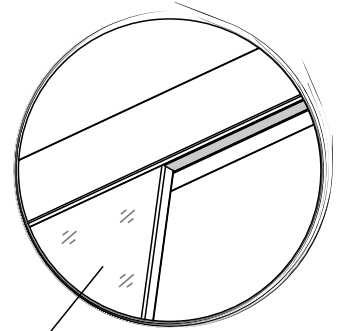
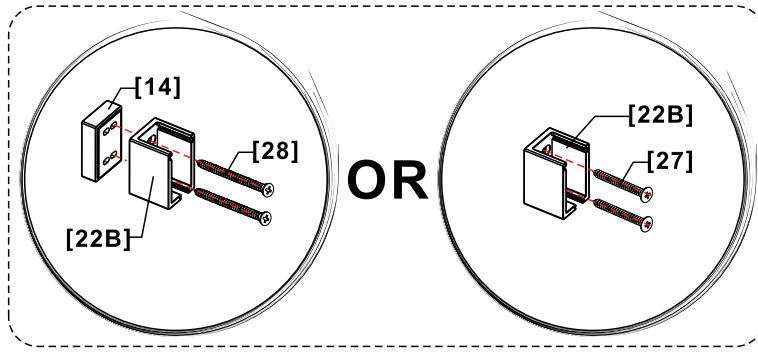
[27] x2 (ST4x35)



[28] x2 (ST4x50)



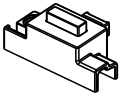
[29] x1 (2.5mm)



05



[09] x1



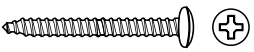
[16A] x1



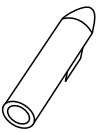
[17A] x1



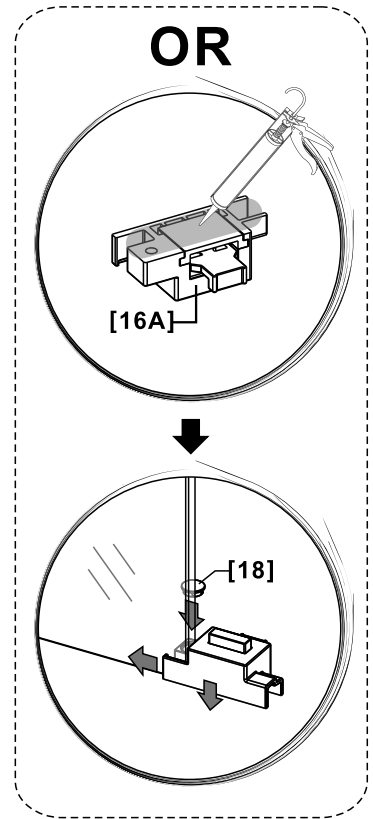
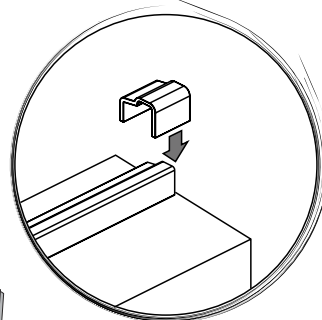
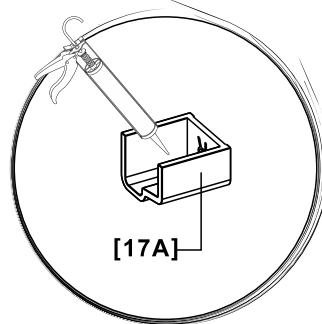
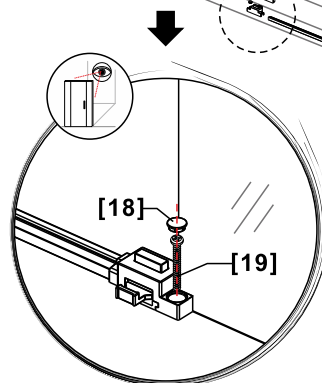
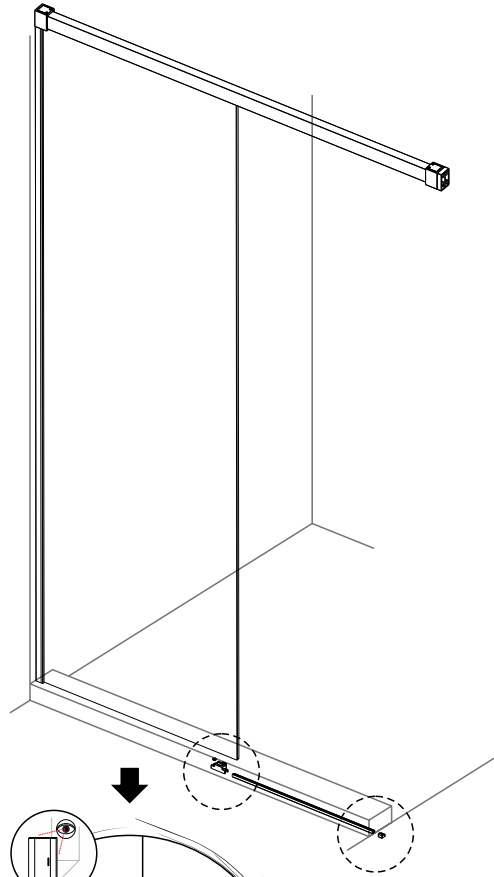
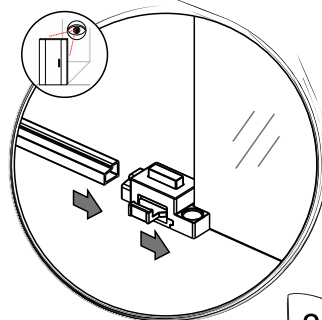
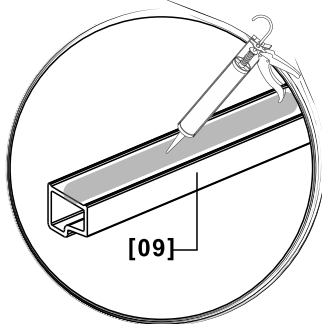
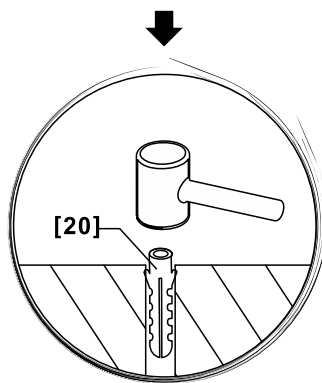
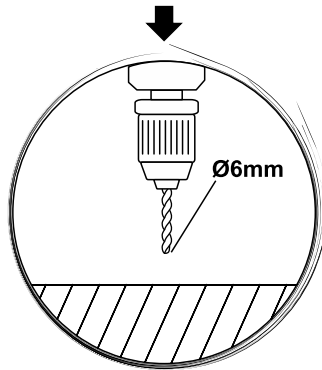
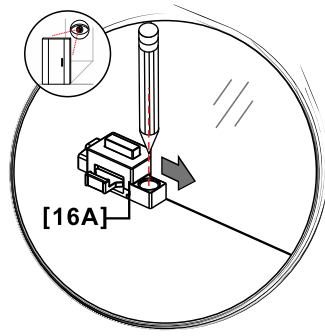
[18] x1



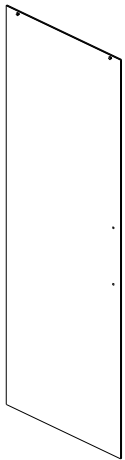
[19] x1 (ST4x25)



[20] x1



06



[12] x1



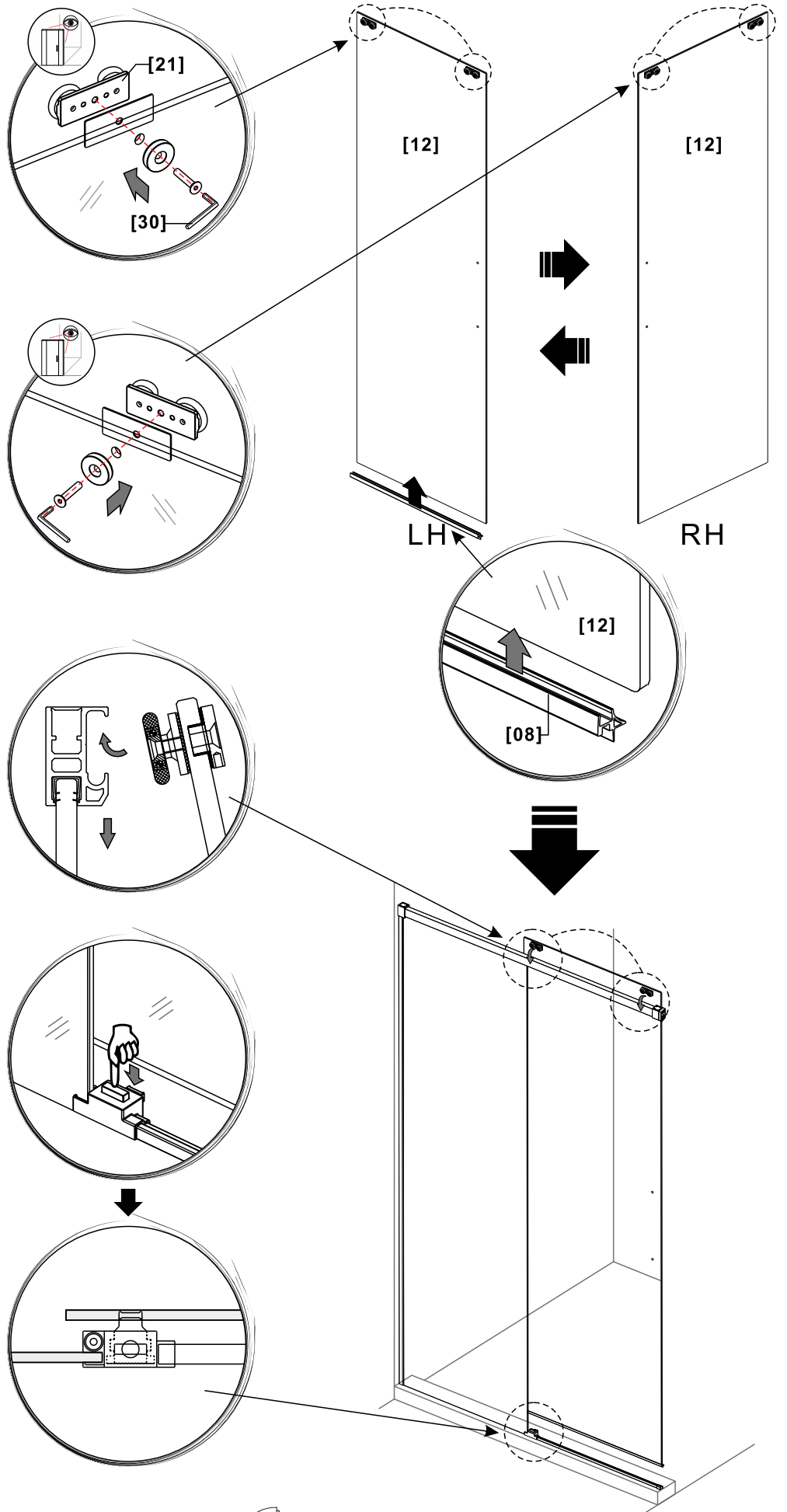
[08] x1



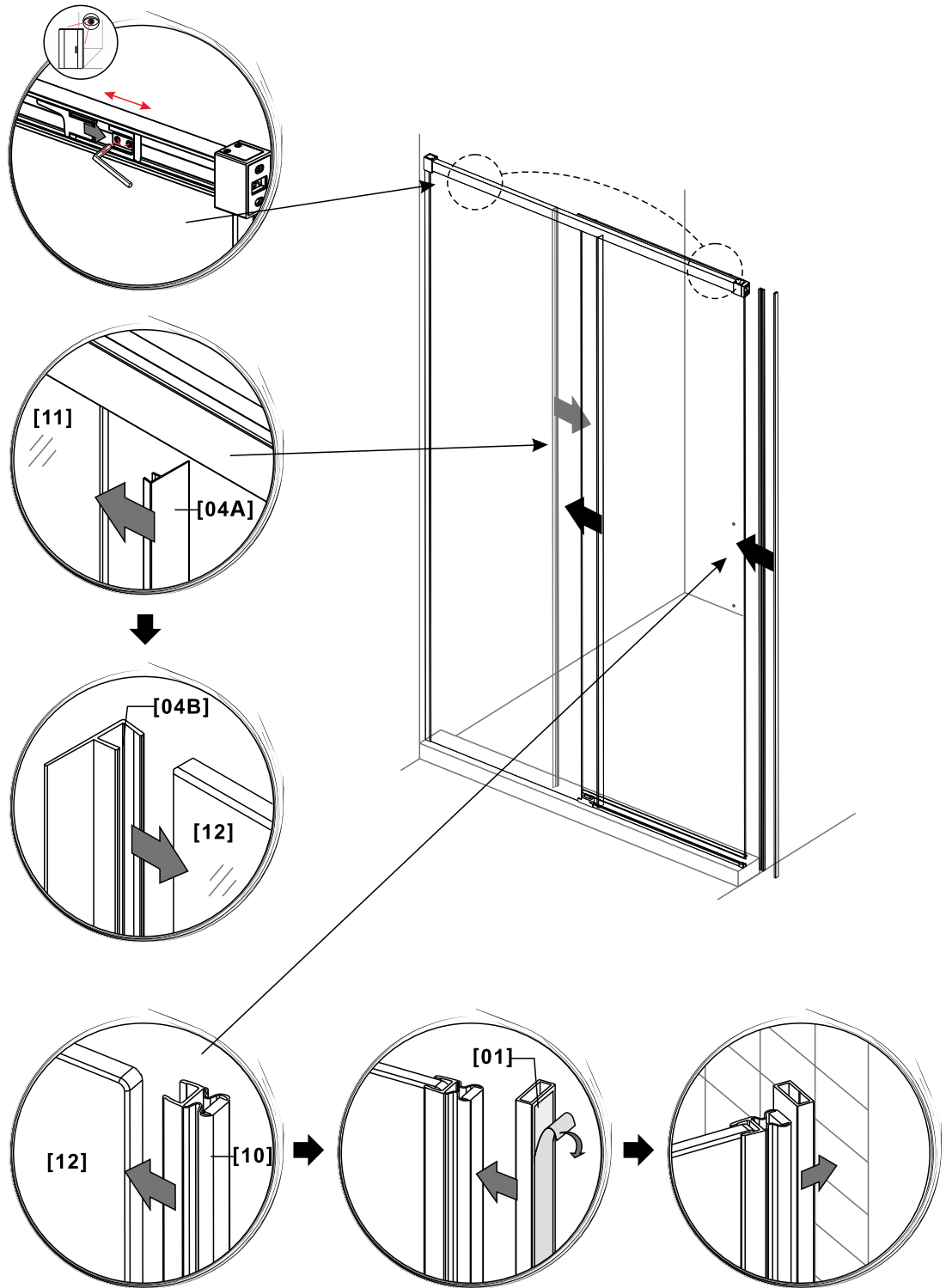
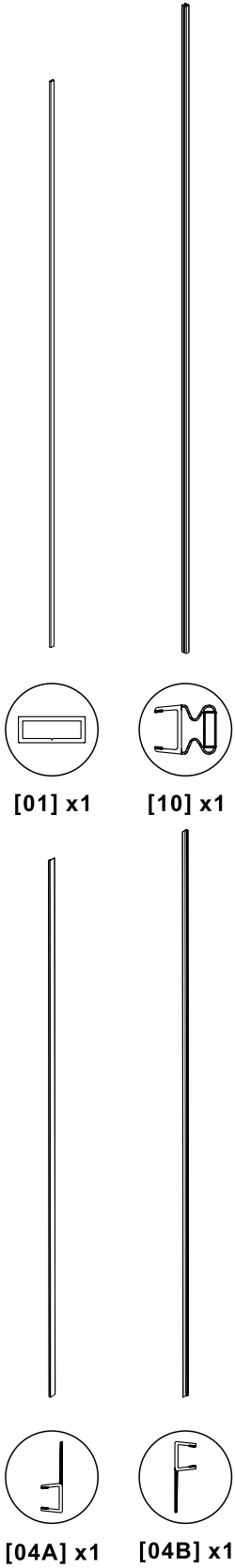
[21] x2



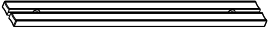
[30] x1 (3mm)



07



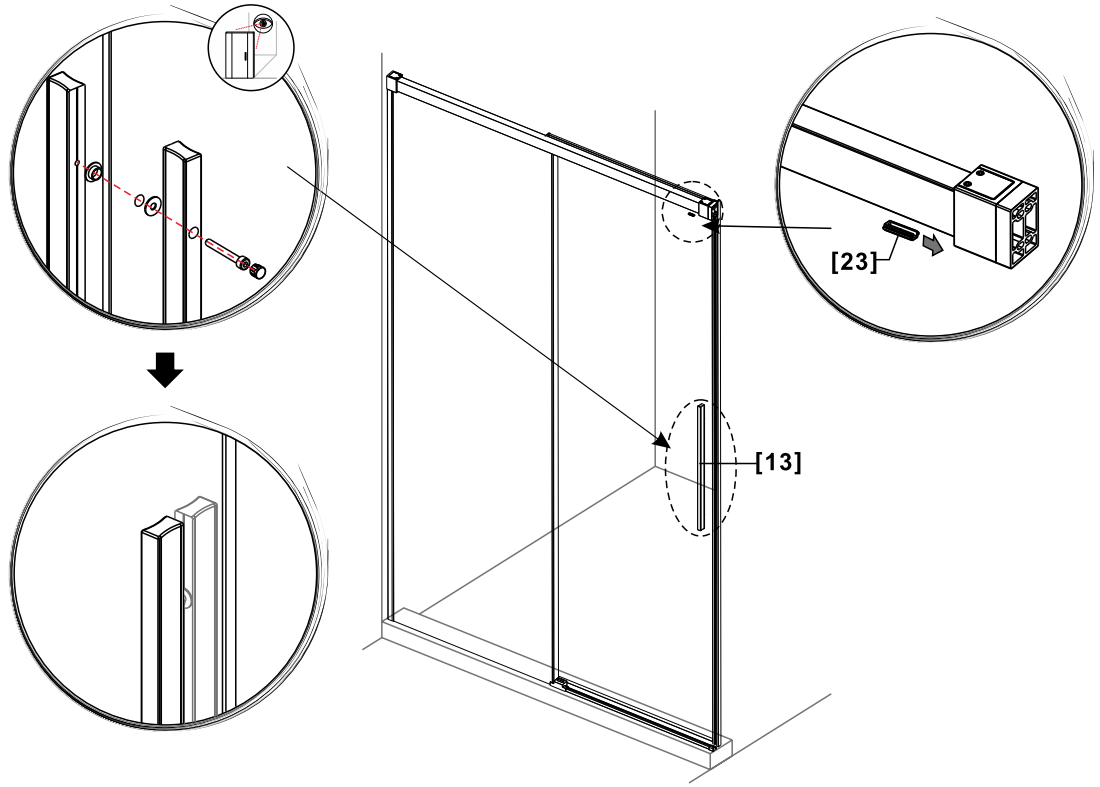
08



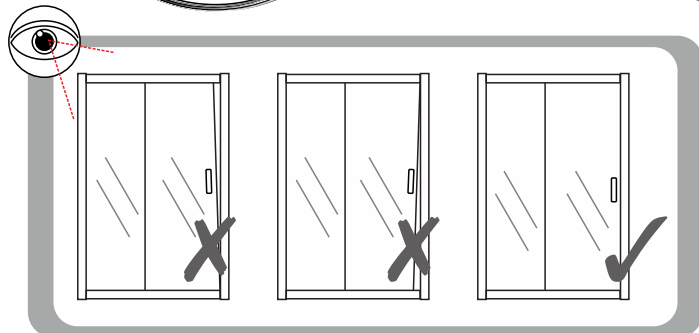
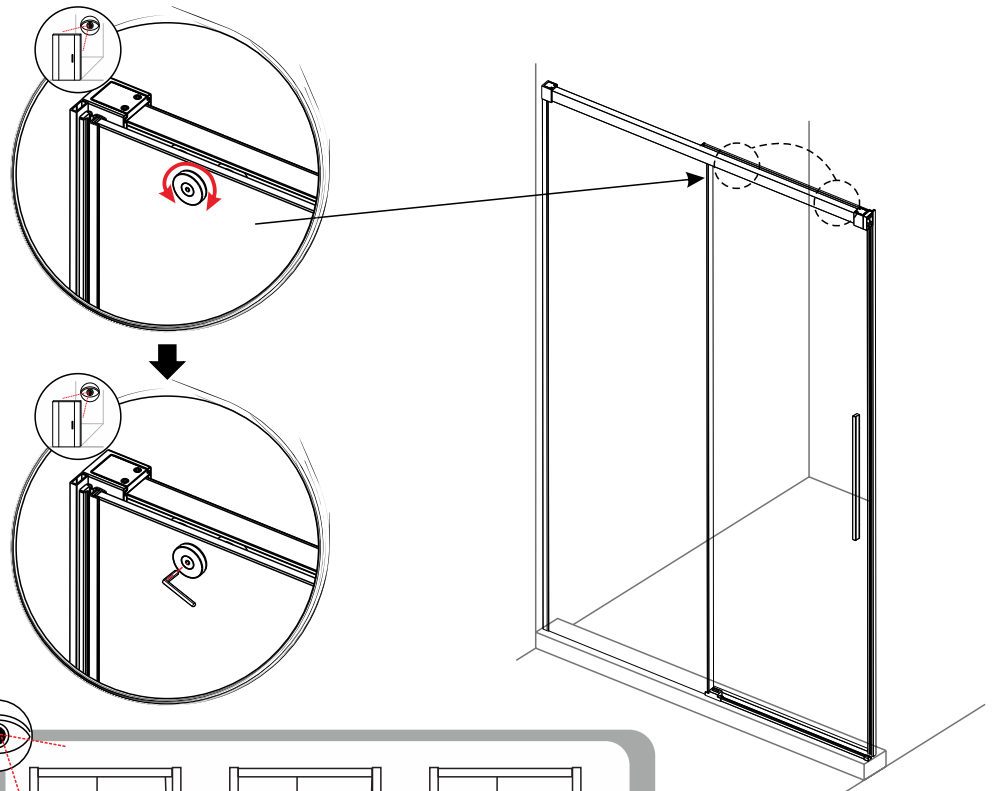
[13] x1



[23] x1



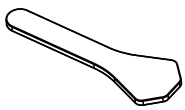
09



10



[05] x1



[31] x1

