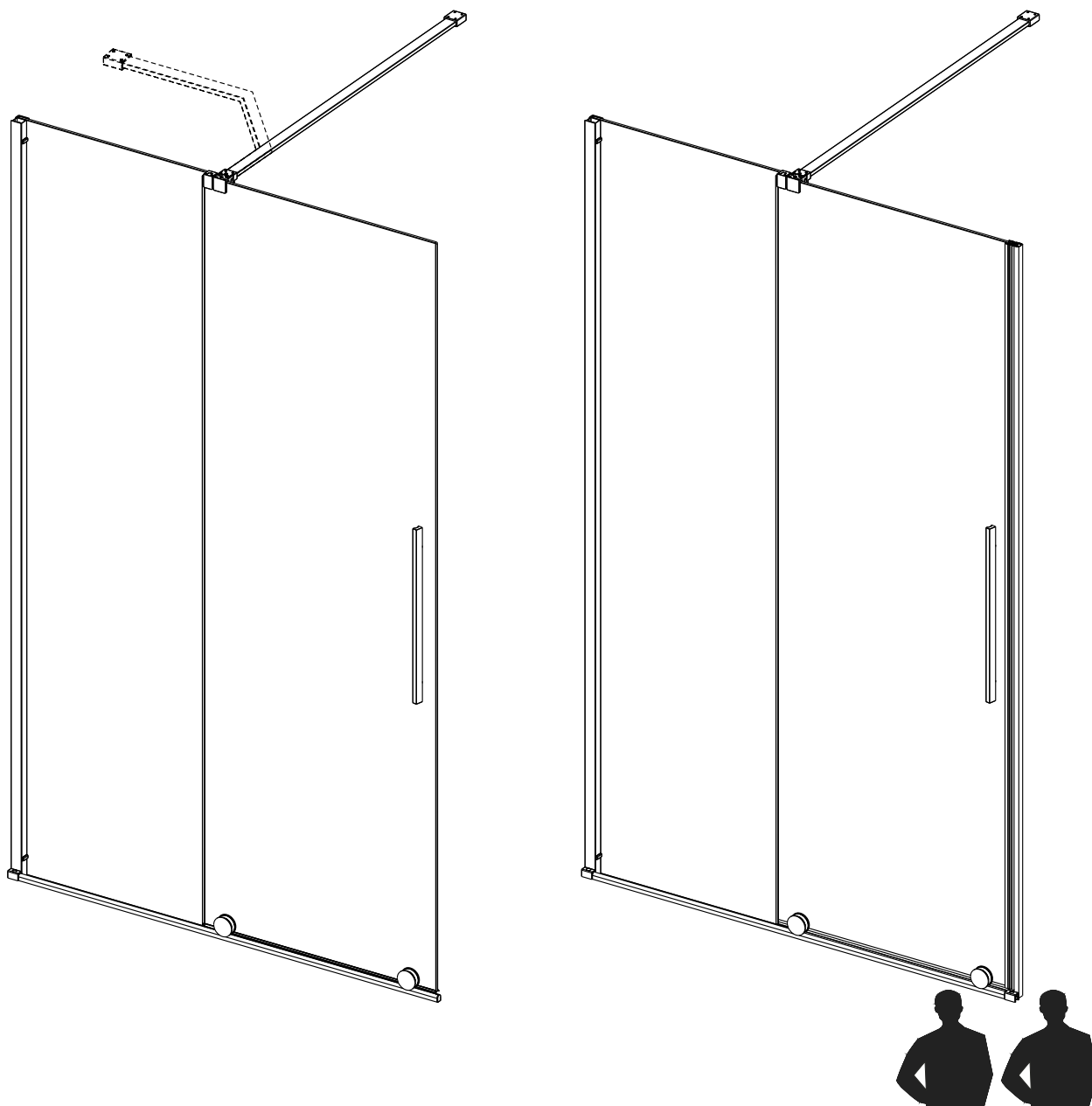


SPIRIT

GI1010,GI1011,GI1012,GI1013,GI1014,GI1015,GI1016



EN14428

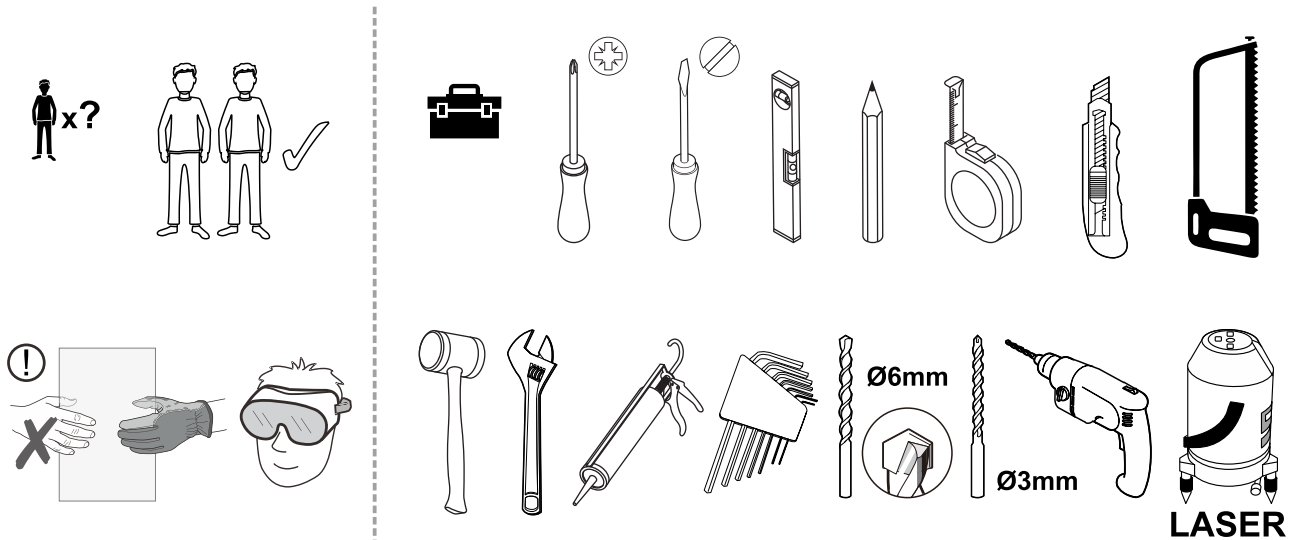
Glass shower enclosure
cleaning efficiency: conforming
impact resistance: conforming
operating life: conforming

Skleněné sprchové zástěny
schopnost: vyhovuje
odolnost proti nárazu: vyhovuje
životnost: vyhovuje

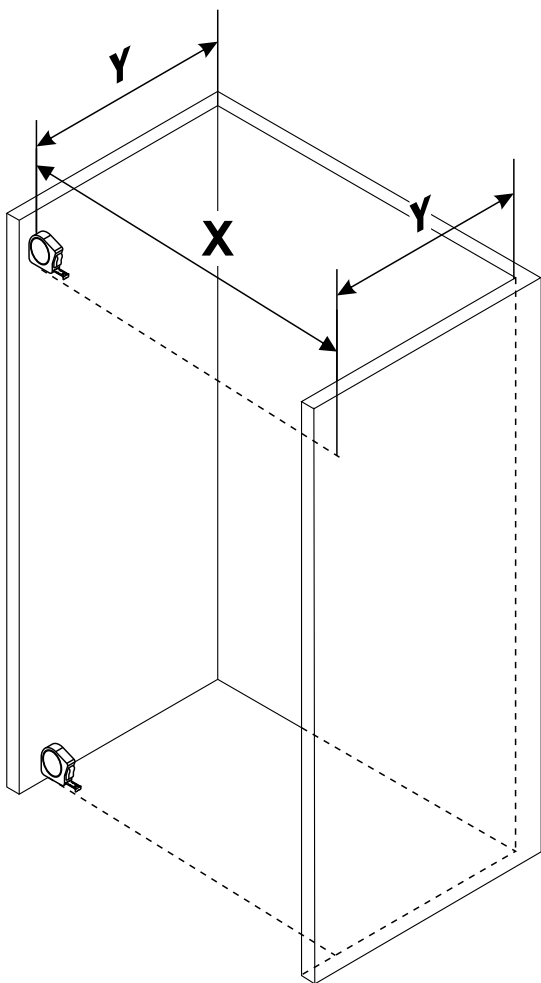
The logo for GELCO, featuring a stylized 'G' composed of two overlapping squares (orange and blue) followed by the word 'GELCO' in a bold, blue, sans-serif font.

GELCO s.r.o., Makovského 1341, 163 000 Praha 6

TOOLS

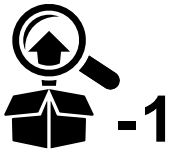


INSTALLATION

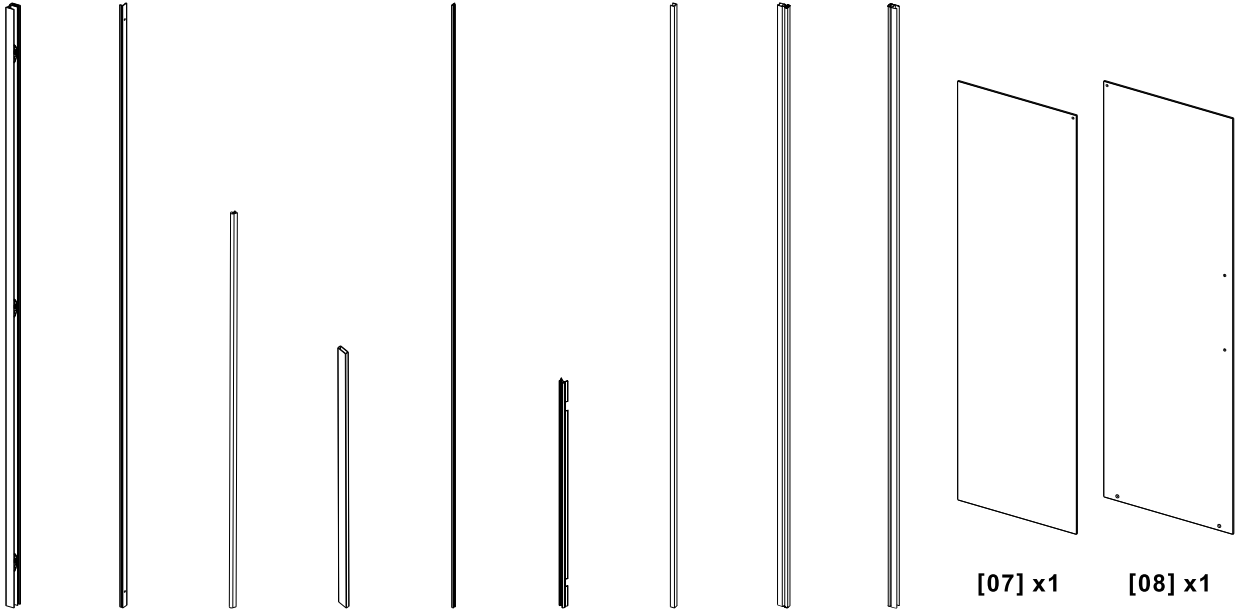


Y=Y

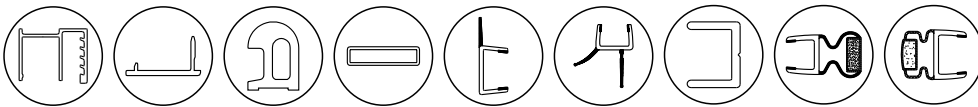
SIZE	X,mm
1000x2000	980-1010
1100x2000	1080-1110
1200x2000	1180-1210
1300x2000	1280-1310
1400x2000	1380-1410
1500x2000	1480-1510
1600x2000	1580-1610



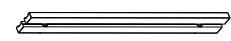
-1



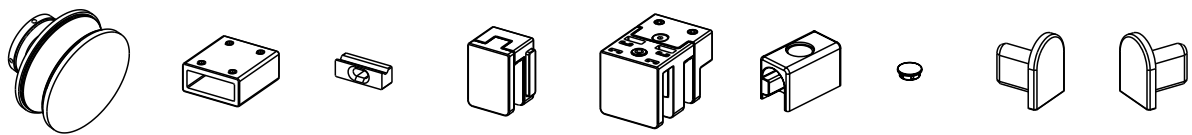
[07] x1 [08] x1



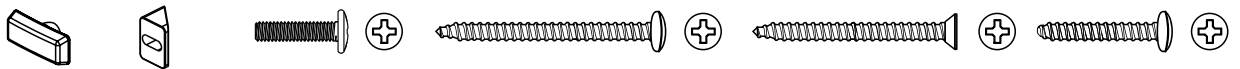
[01] x1 [02] x1 [03] x1 [04] x1 [05] x1 [06] x1 [30] x1 [31] x1 [32] x1



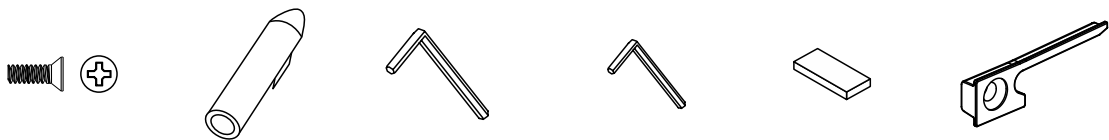
[09] x1



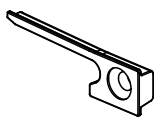
[10] x2 [11A] x1 [11B] x1 [12] x1 [13] x1 [14] x2 [15] x2 [16A] x1 [16B] x1



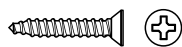
[17] x2 [18] x3 [19] x3 (M4x16) [20] x8 (ST4x35) [21] x1 (ST4x35) [22] x2 (ST4x20)



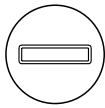
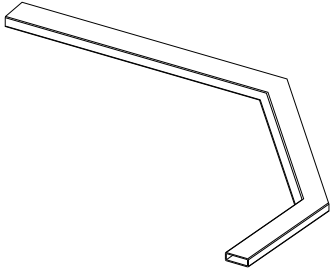
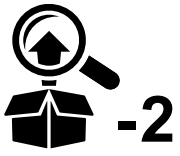
[23] x2 (M4x8) [24] x11 [25] x1 (4mm) [26] x1 (2.5mm) [27] x4 [28A] x1



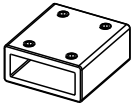
[28B] x1



[29] x1 (ST4x10)



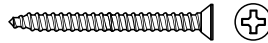
[30] x1



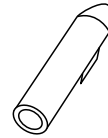
[31] x1



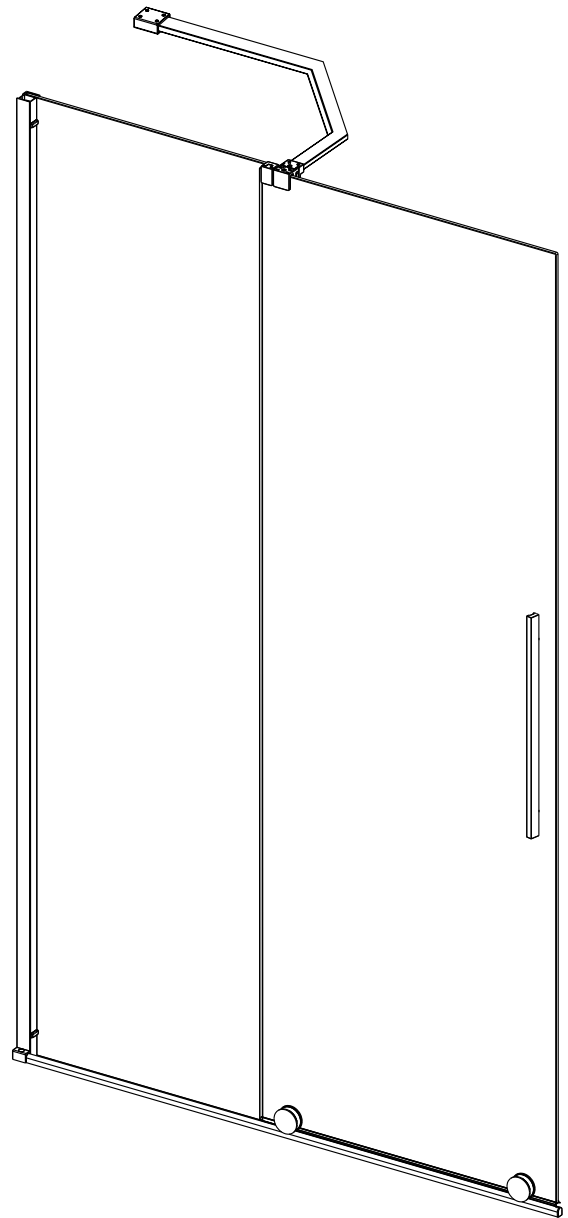
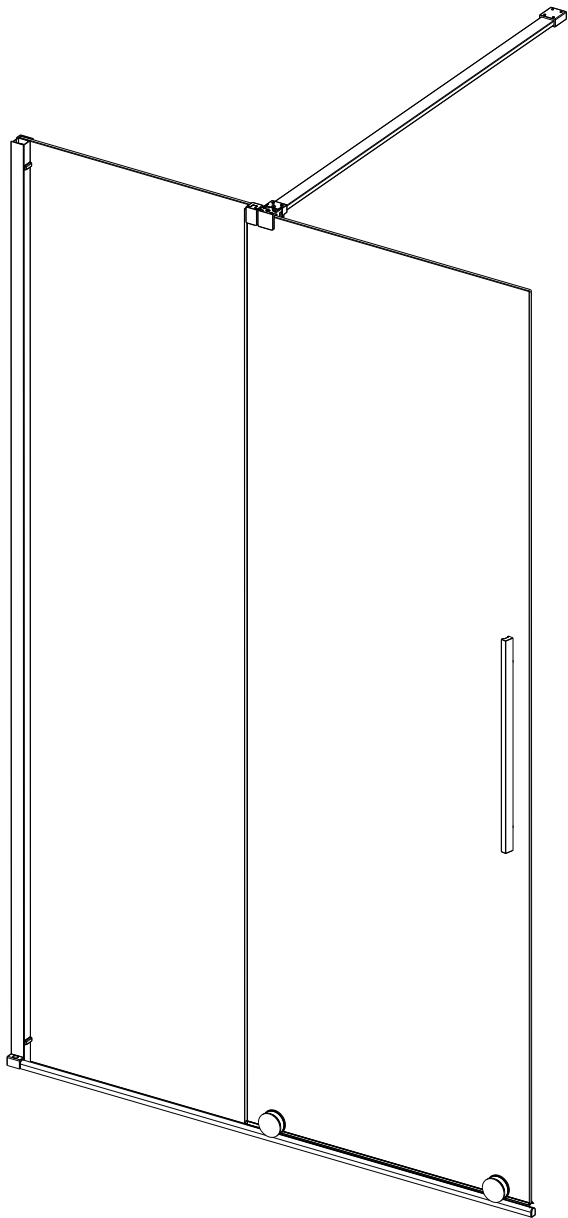
[32] x1 (2.5mm)

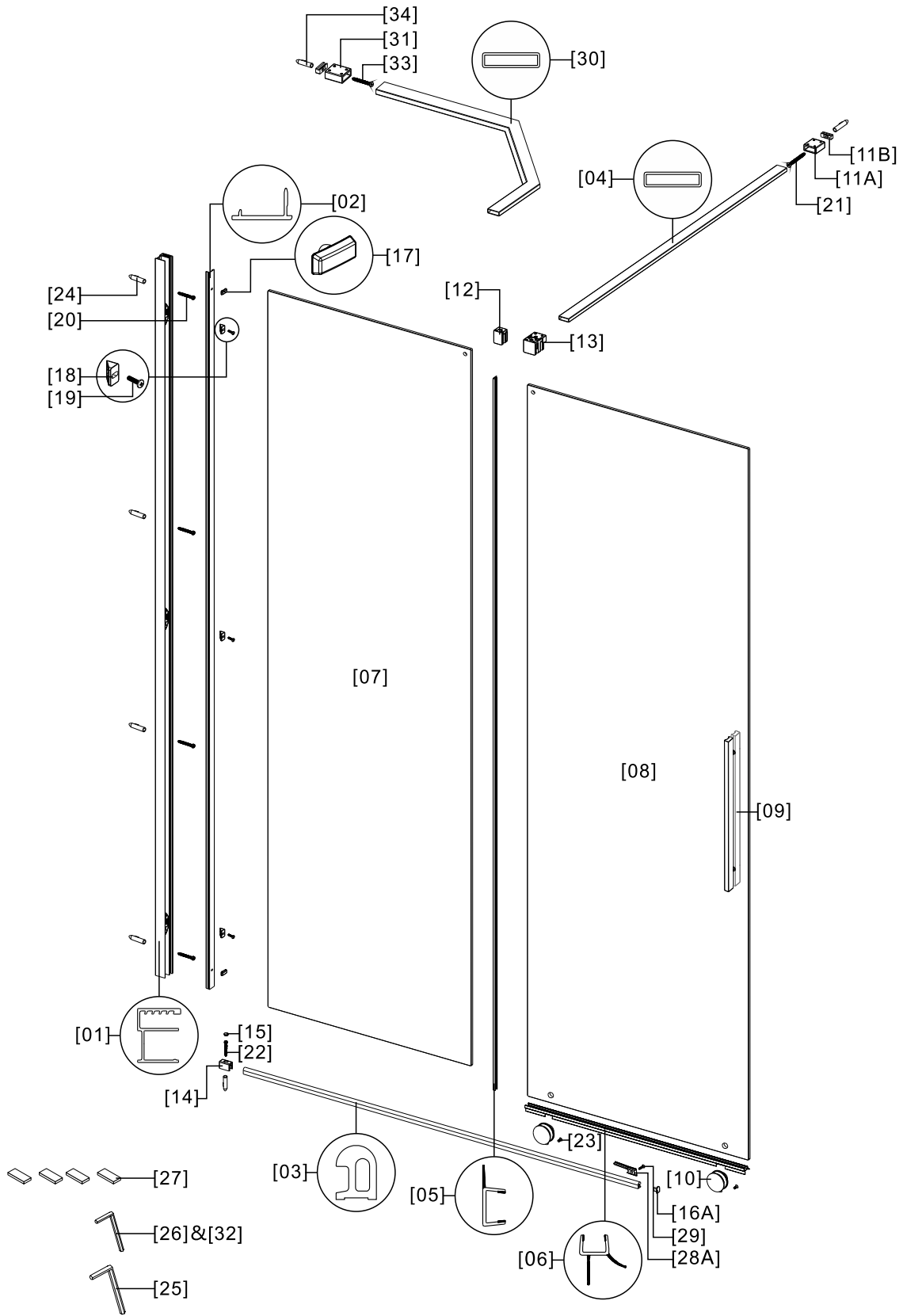


[33] x1 (ST4x35)



[34] x1



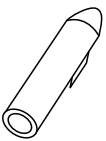




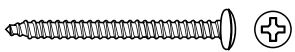
01



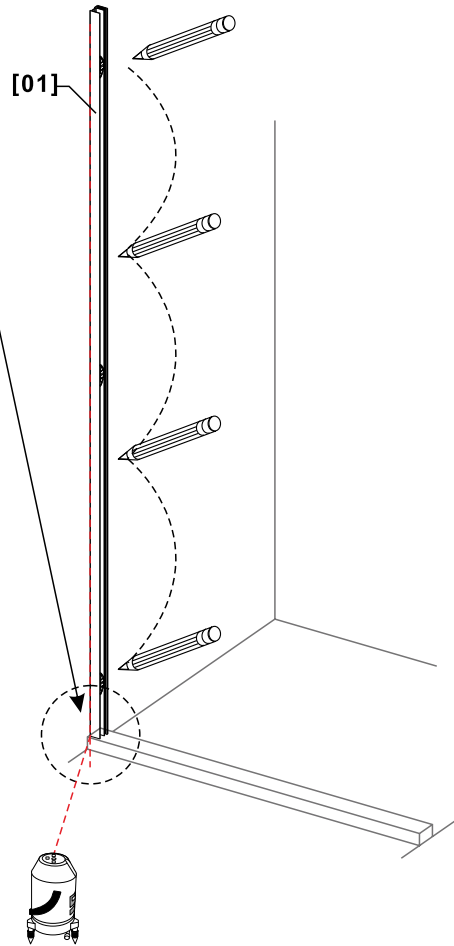
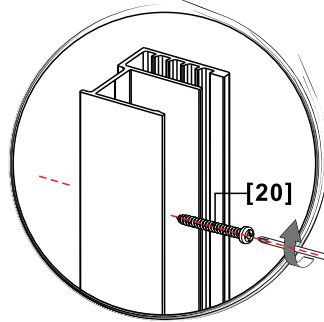
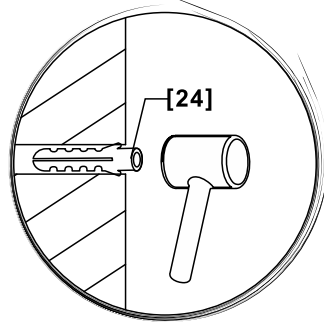
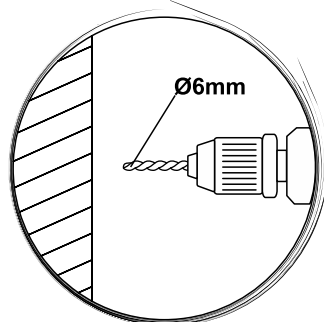
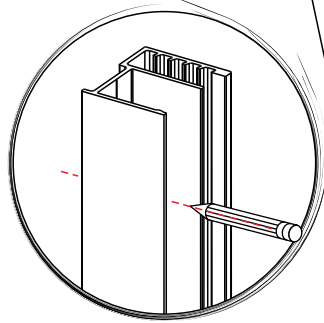
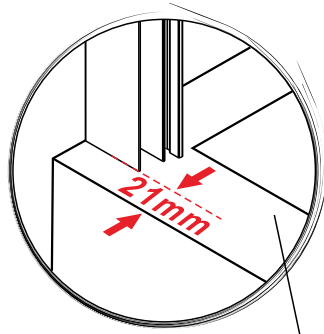
[01] x1



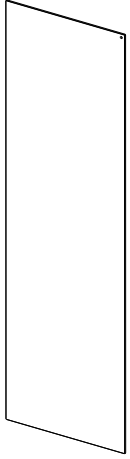
[24] x4



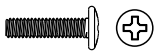
[20] x4 (ST4x35)



02



[07] x1



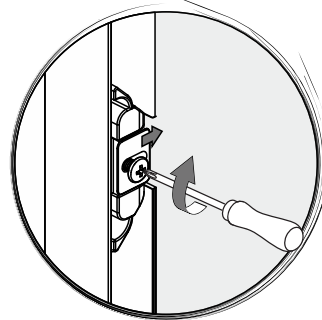
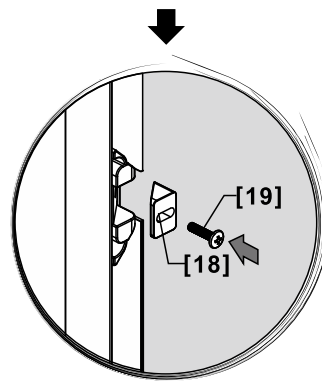
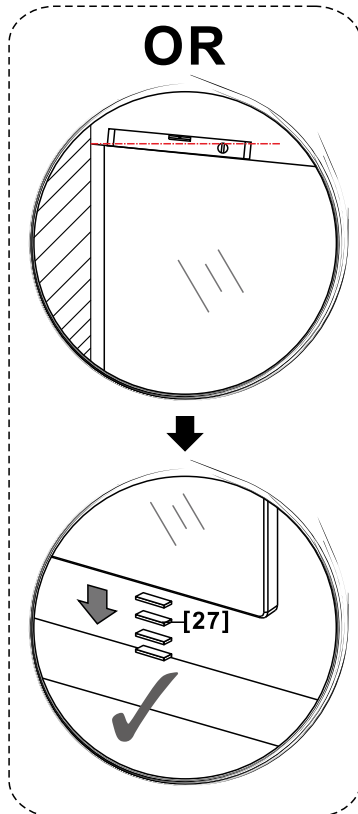
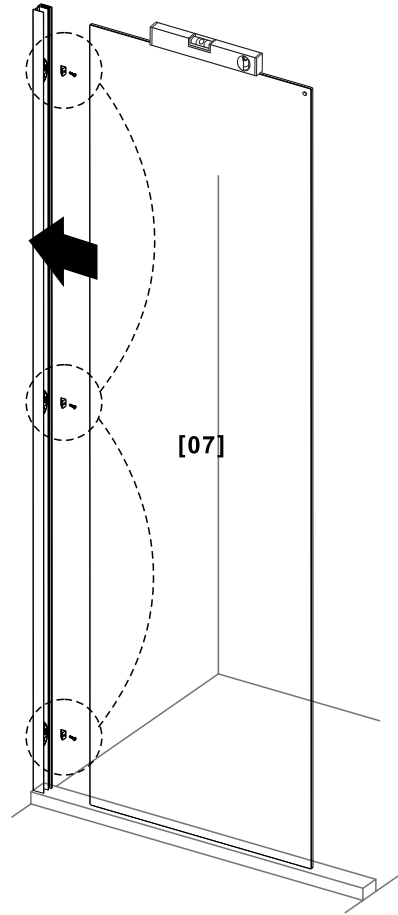
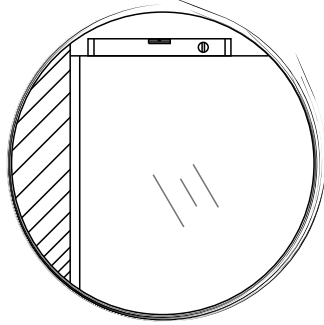
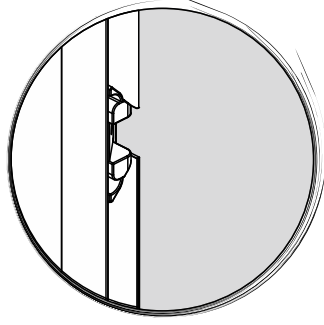
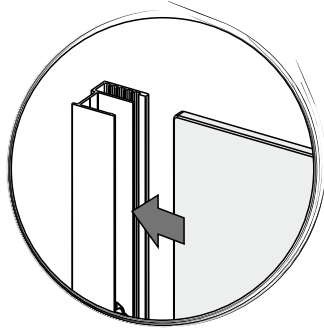
[19] x3 (M4x16)



[18] x3



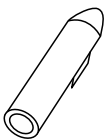
[27] x4



03



[03] x1



[24] x1



[22] x1 (ST4x20)



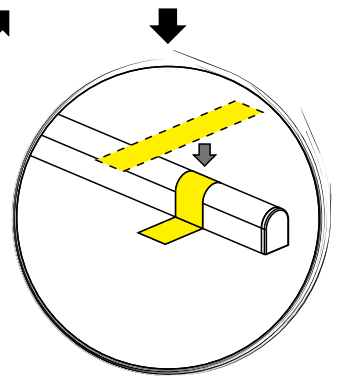
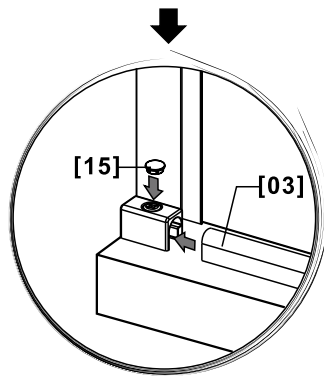
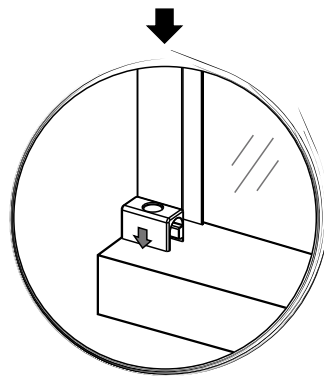
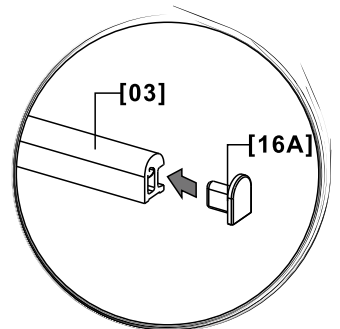
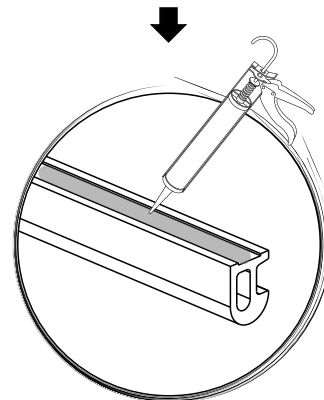
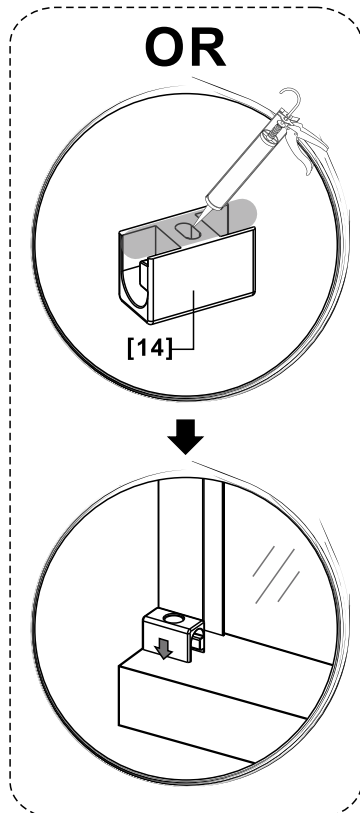
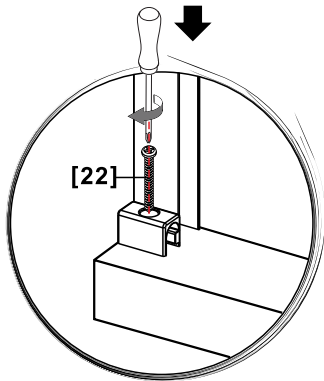
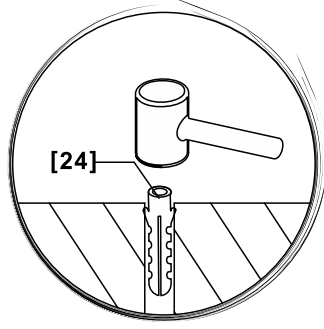
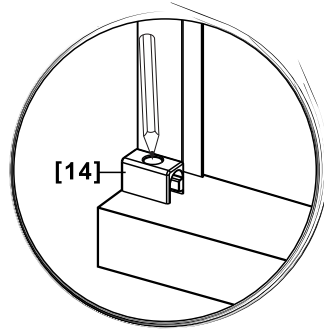
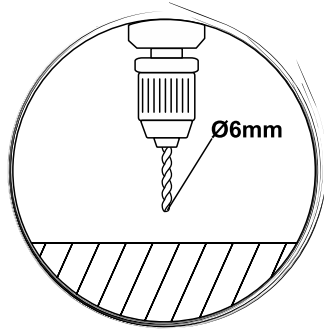
[14] x1



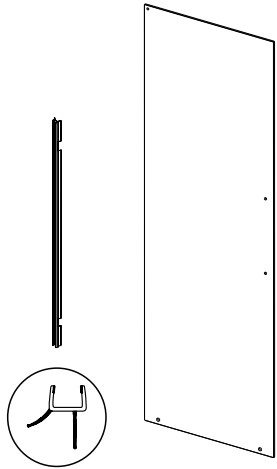
[15] x1



[16A] x1



04



[06] x1

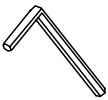
[08] x1



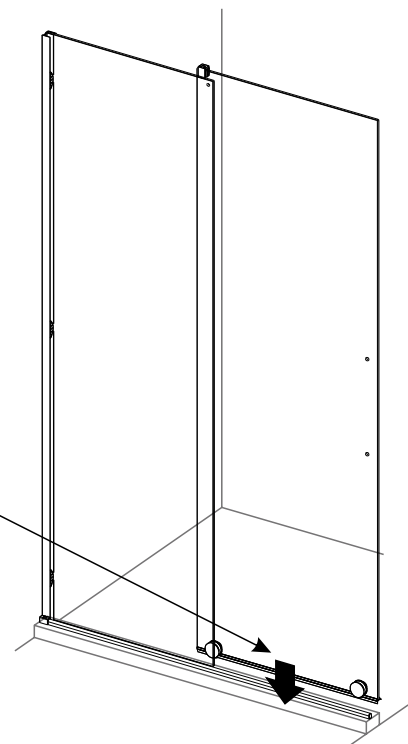
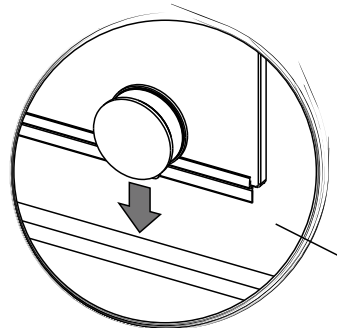
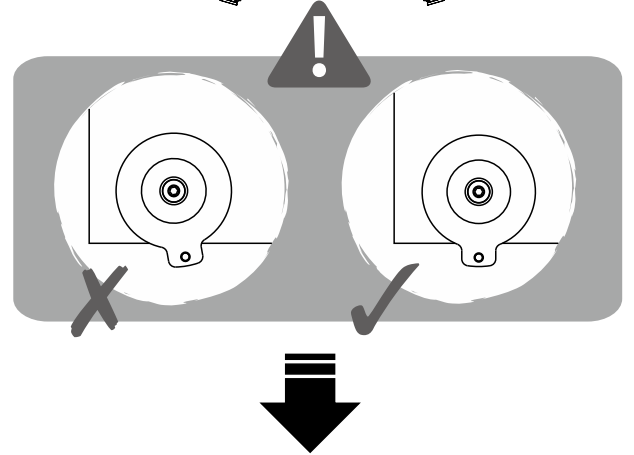
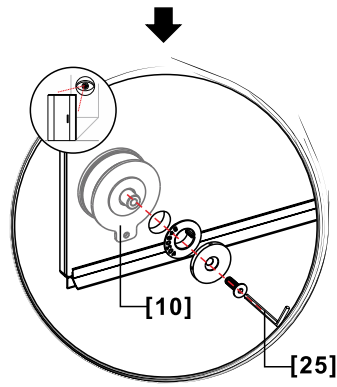
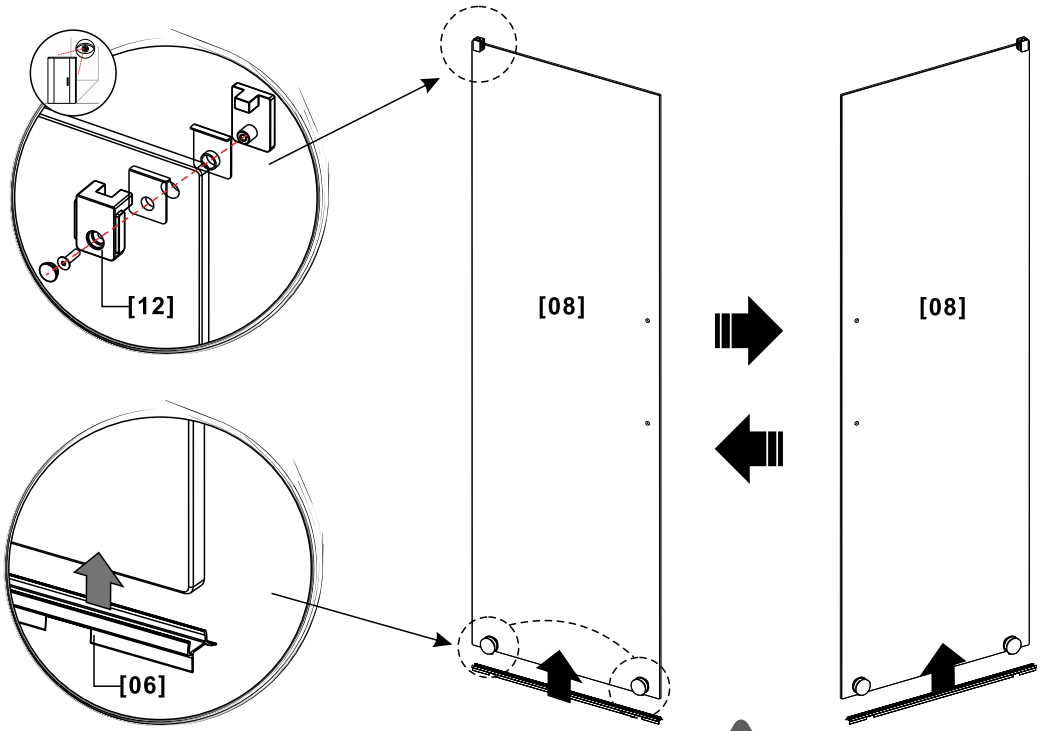
[10] x2



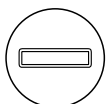
[12] x1



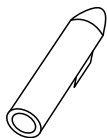
[25] x1 (4mm)



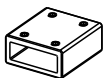
05A



[04] x1



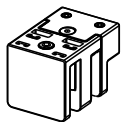
[24] x1



[11A] x1



[11B] x1



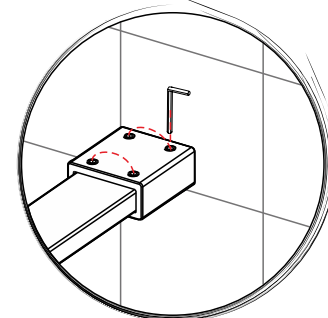
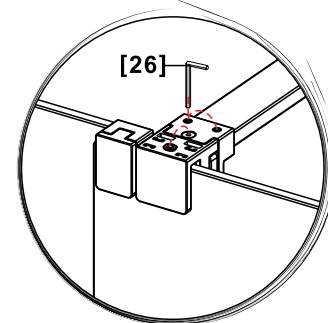
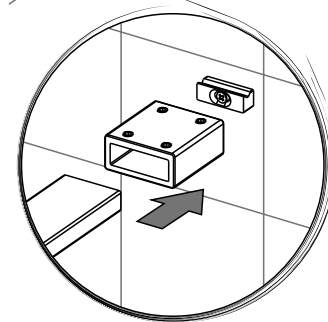
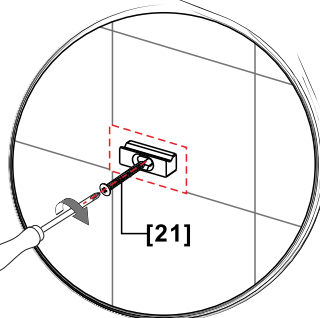
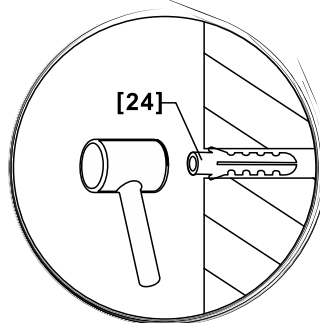
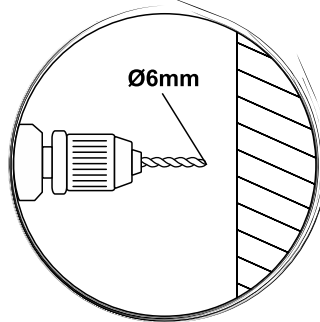
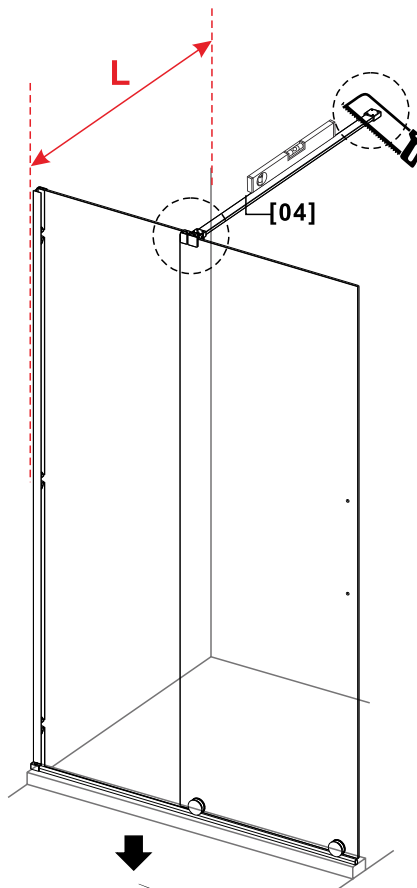
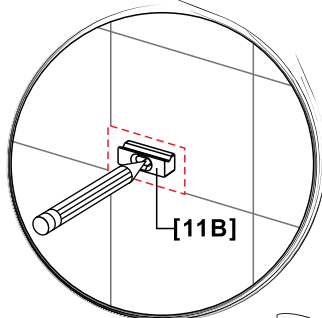
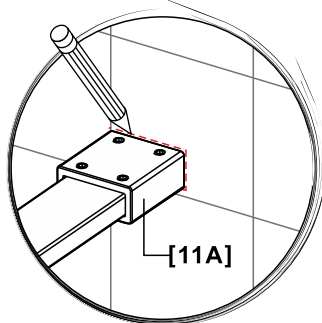
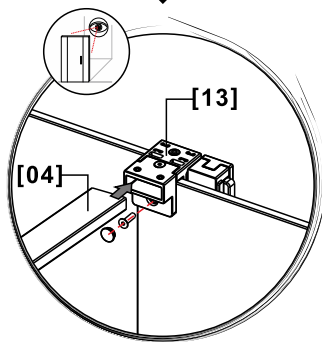
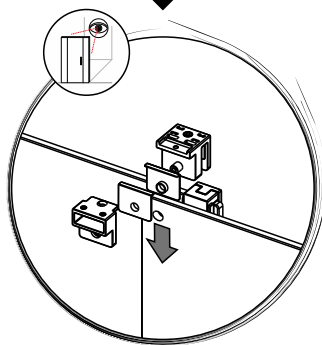
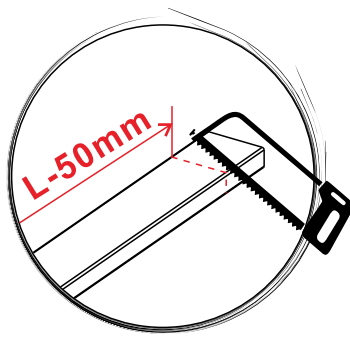
[13] x1



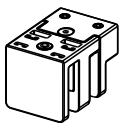
[21] x1 (ST4x35)



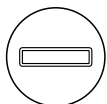
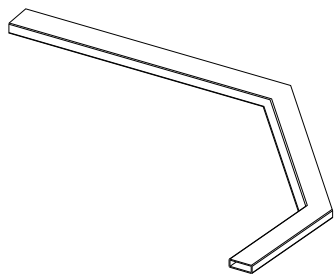
[26] x1 (2.5mm)



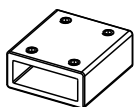
05B



[13] x1



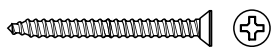
[30] x1



[31] x1



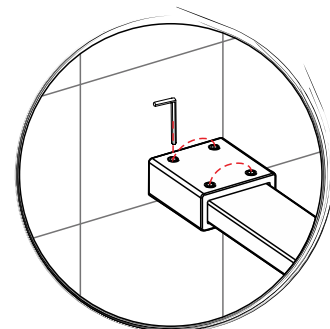
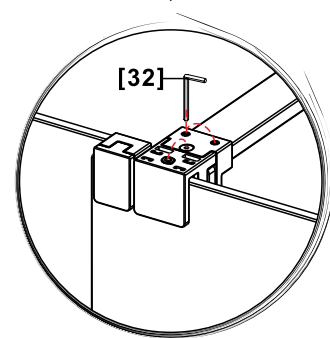
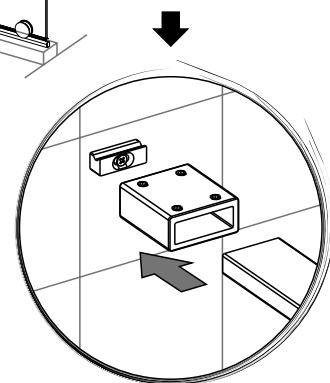
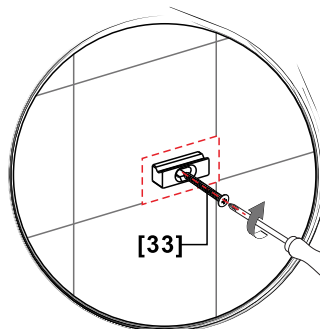
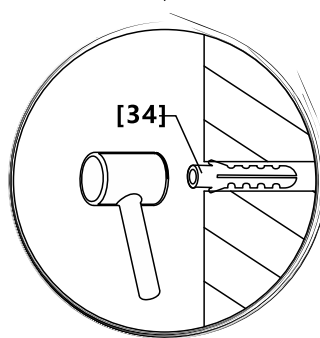
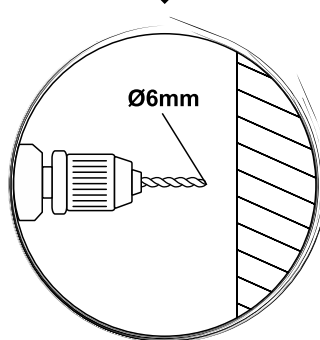
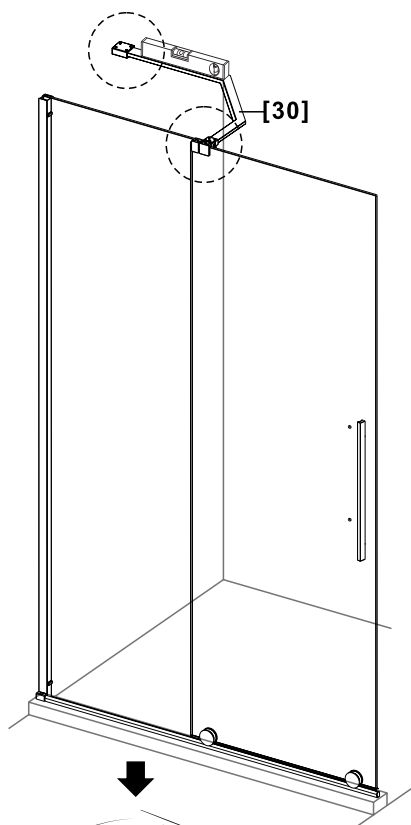
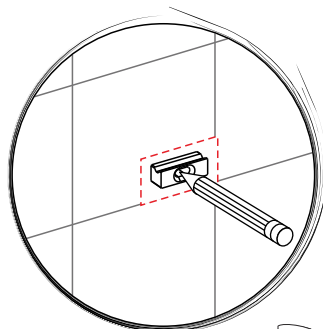
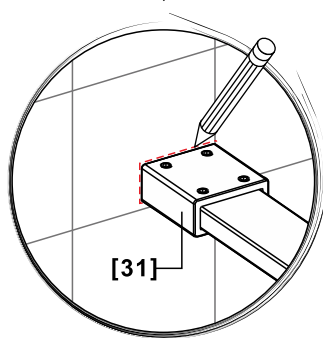
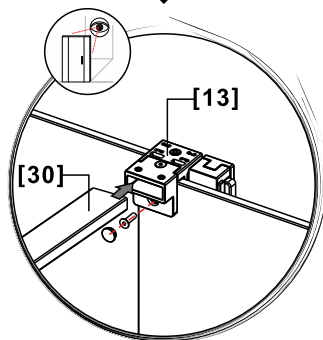
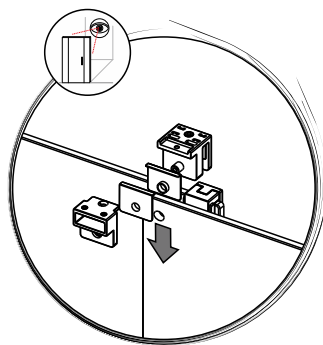
[32] x1 (2.5mm)



[33] x1 (ST4x35)



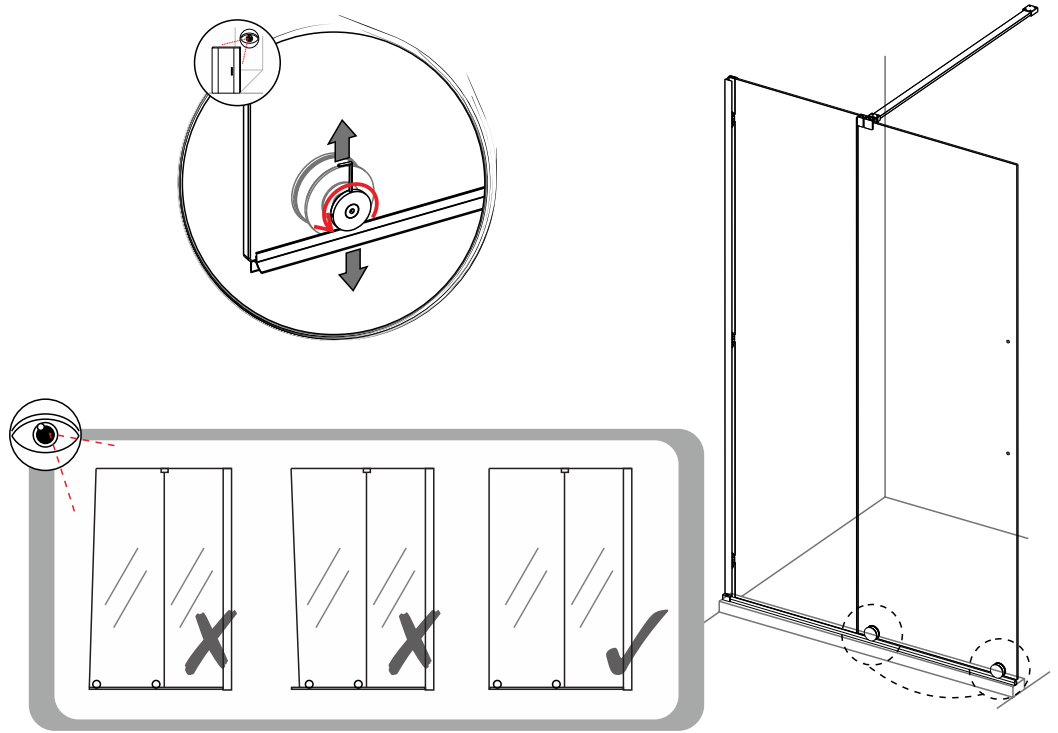
[34] x1



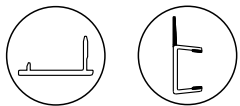
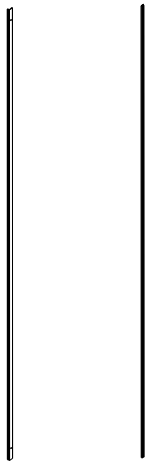
06



[26] x1 (2.5mm)



07



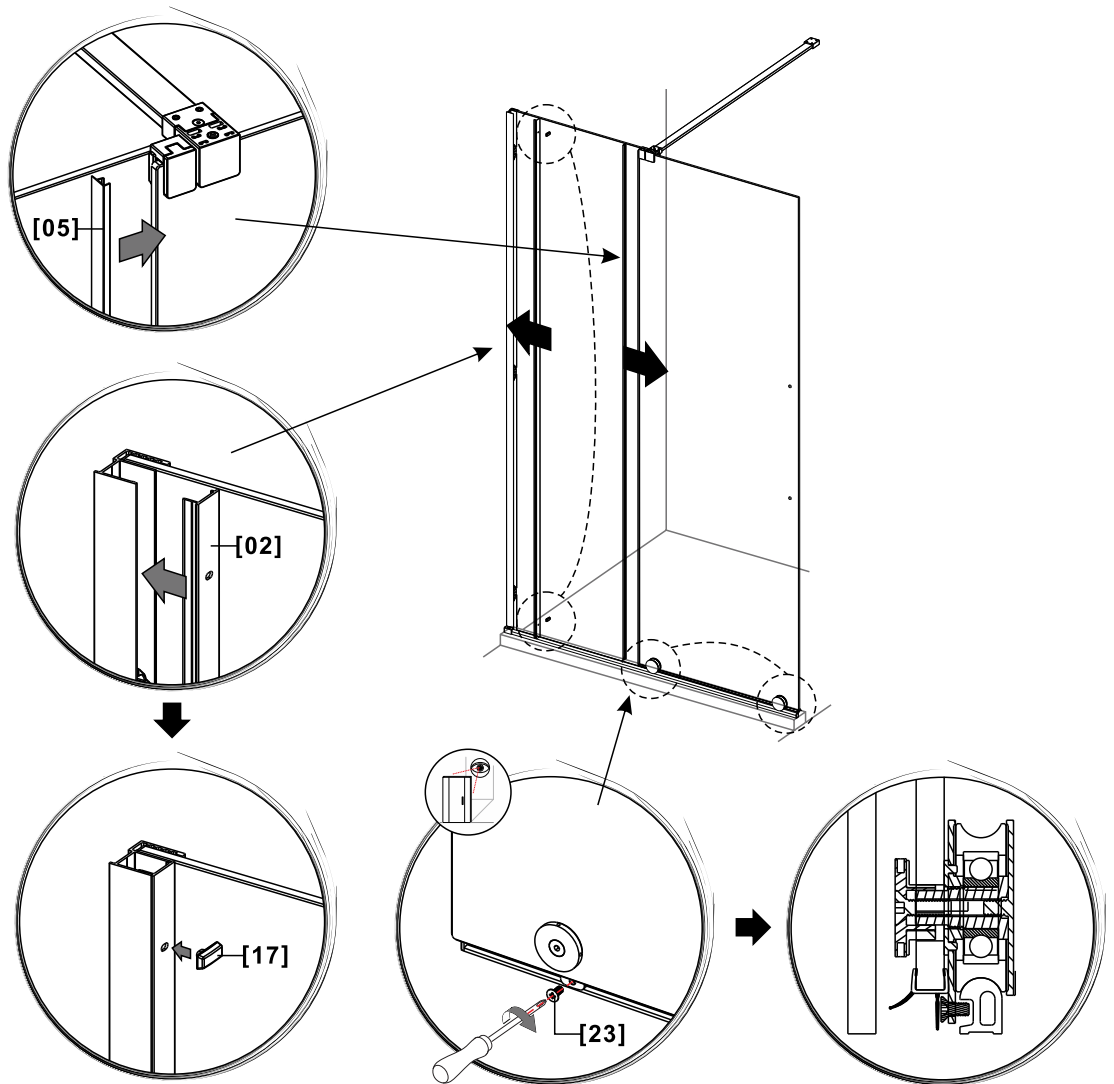
[02] x1 [05] x1



[17] x2



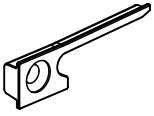
[23] x2 (M4x8)



08



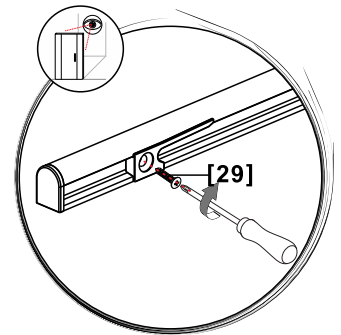
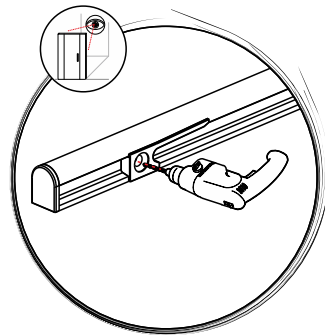
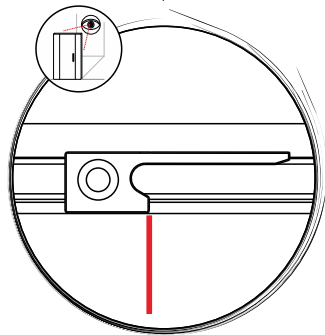
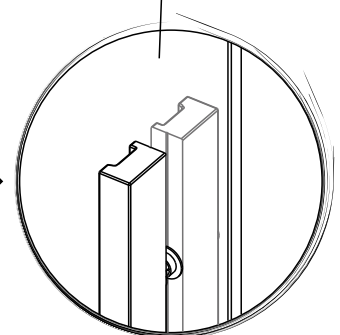
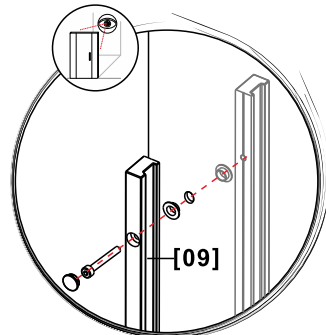
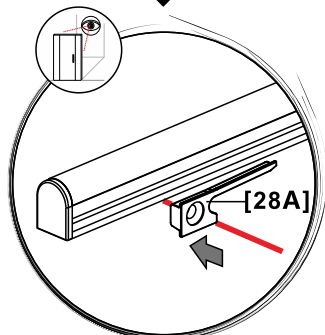
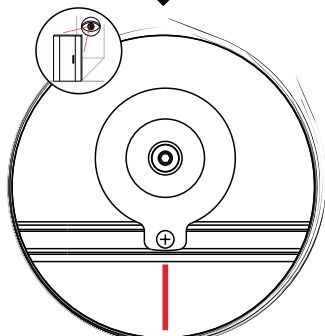
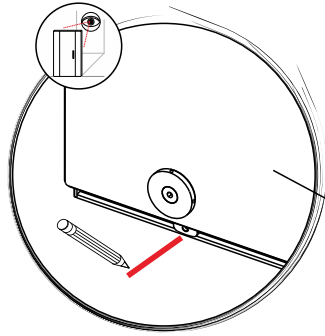
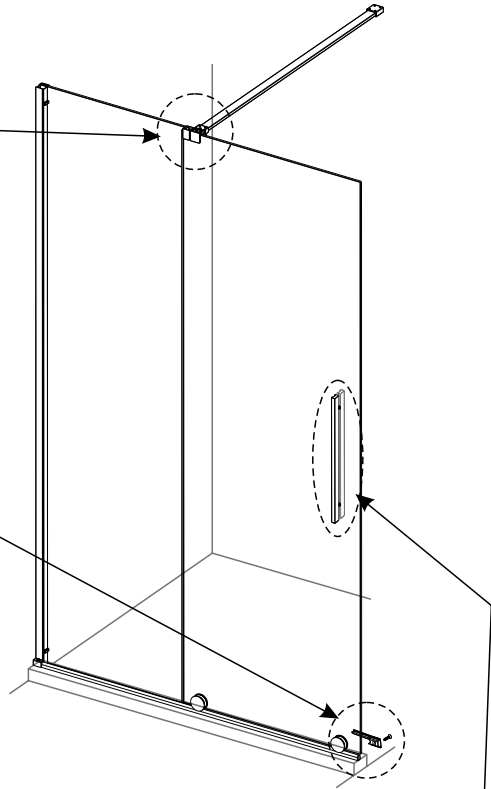
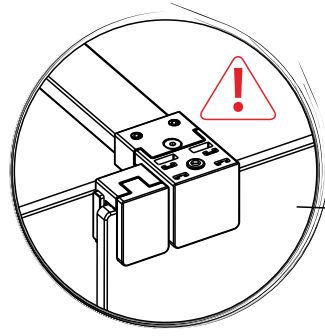
[09] x1



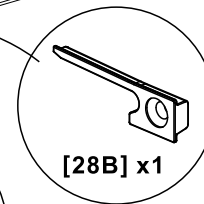
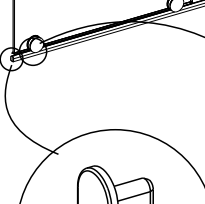
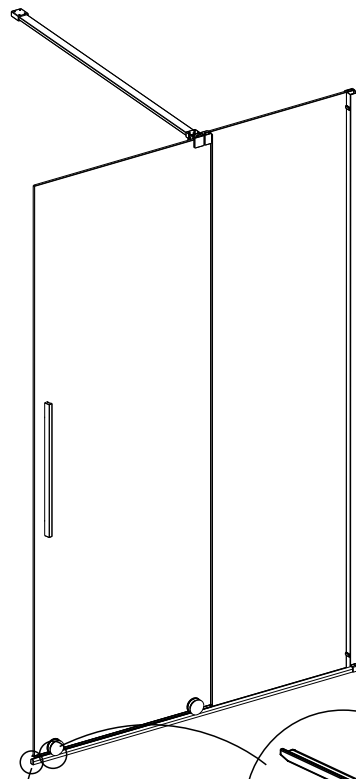
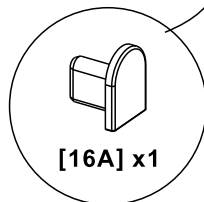
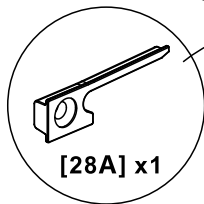
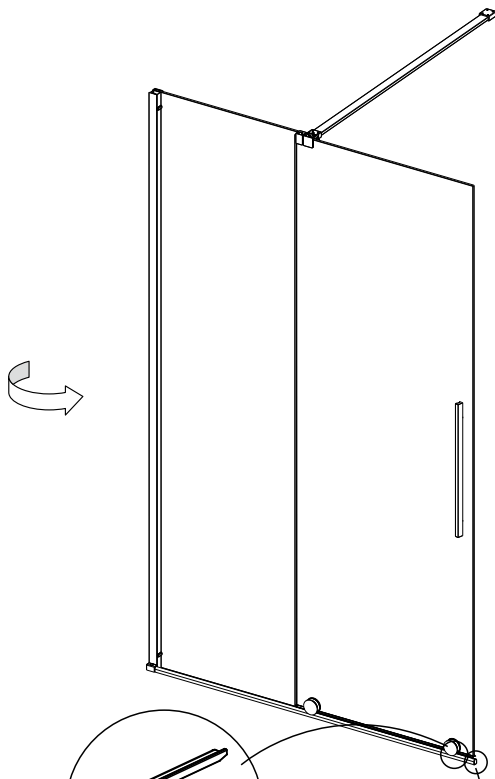
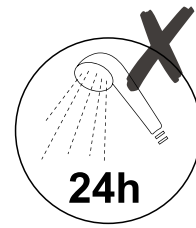
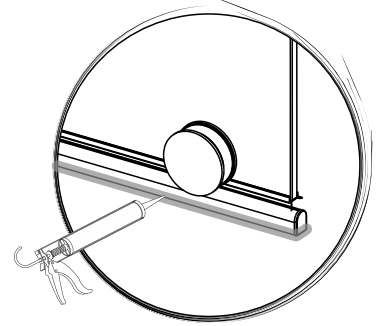
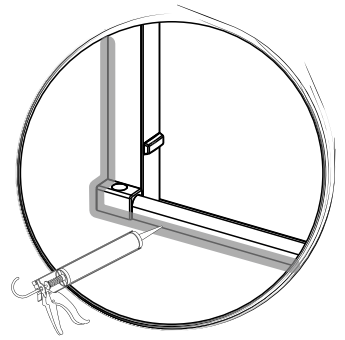
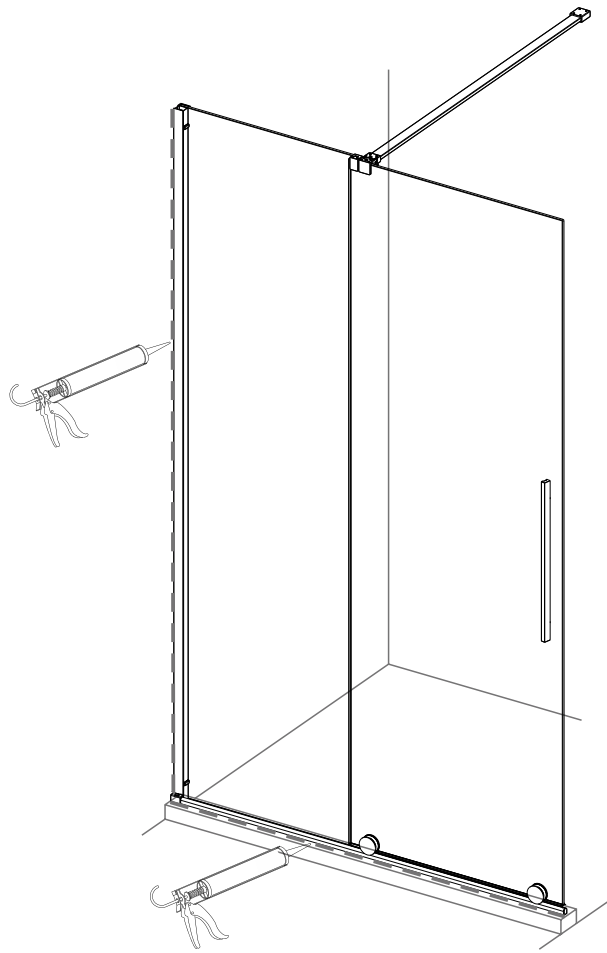
[28A] x1

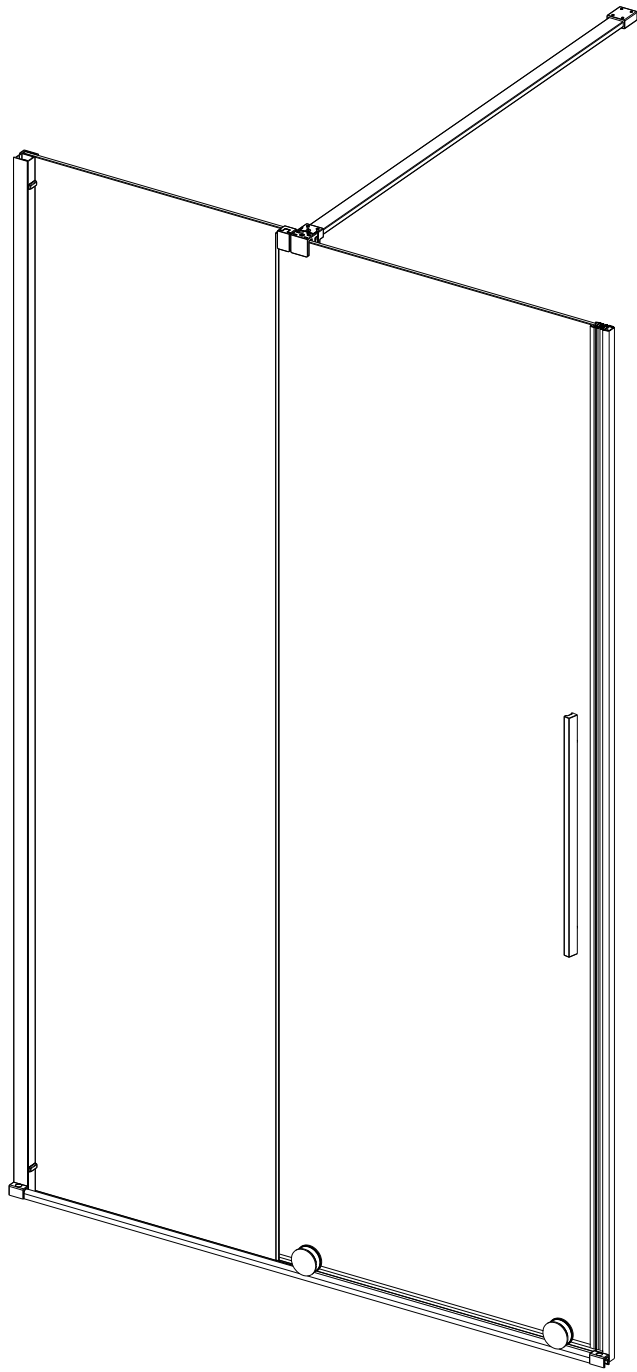


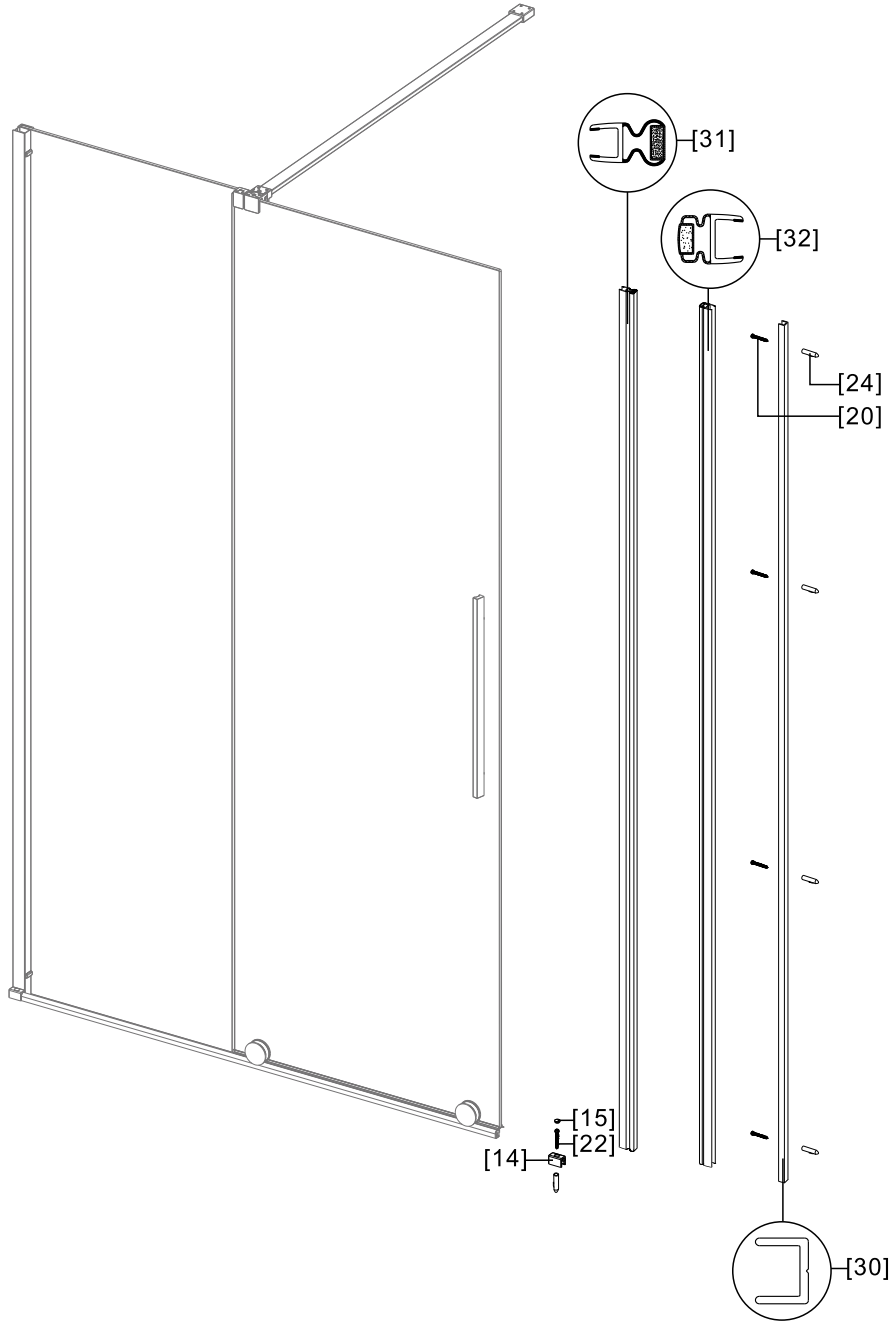
[29] x1 (ST4x10)



09

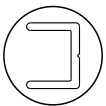




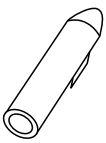




01



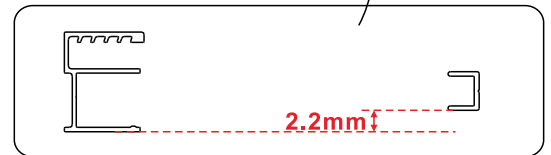
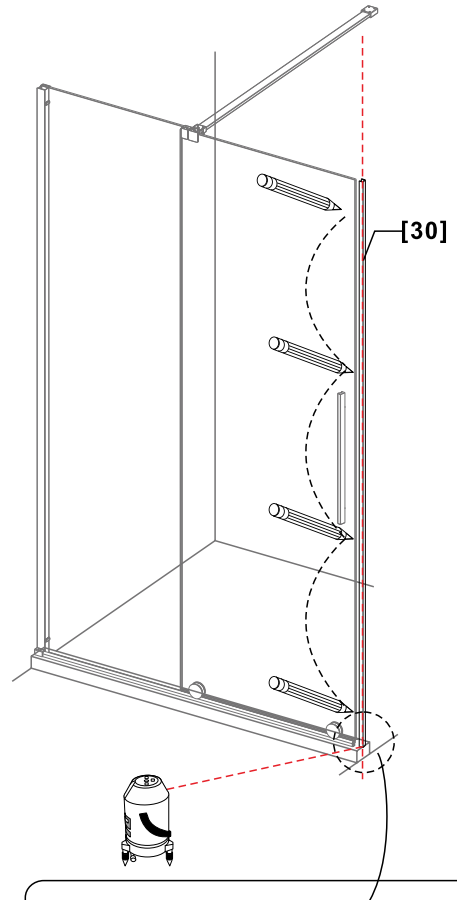
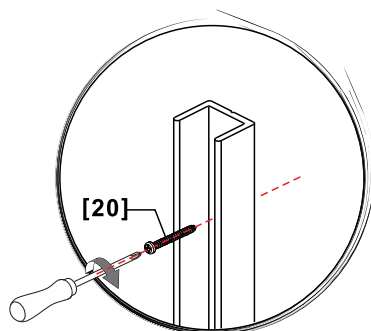
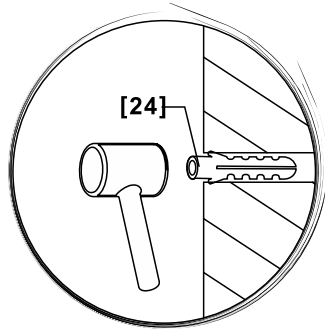
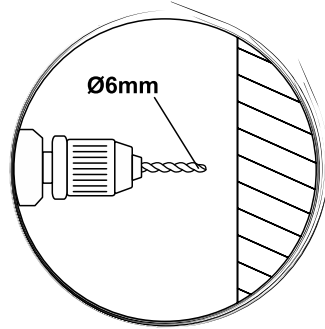
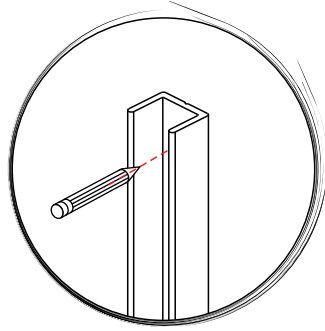
[30] x1



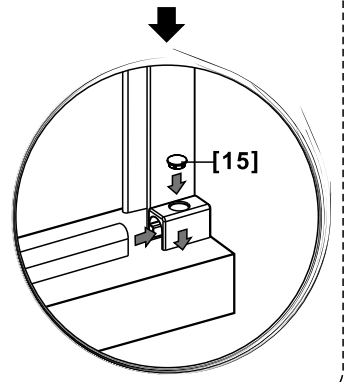
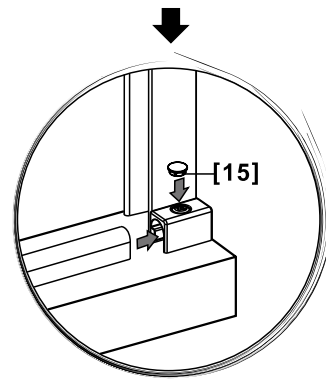
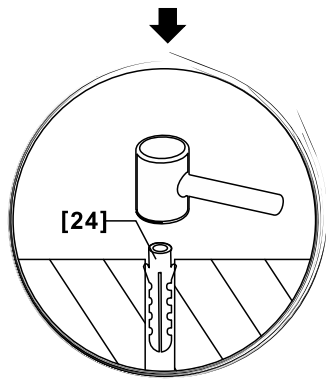
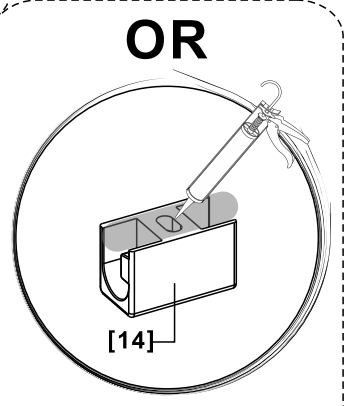
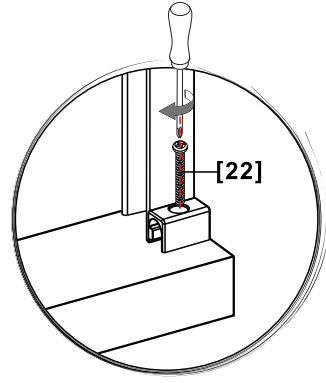
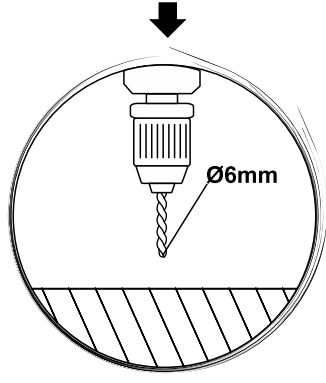
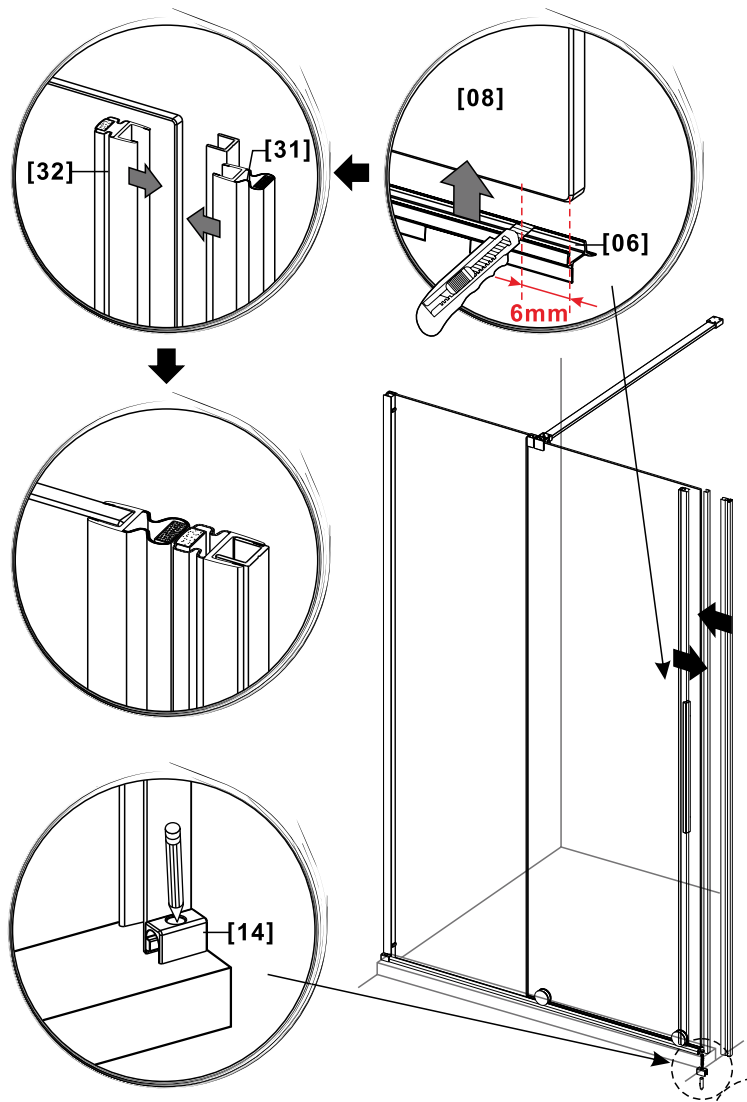
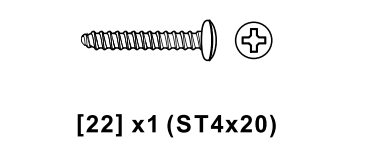
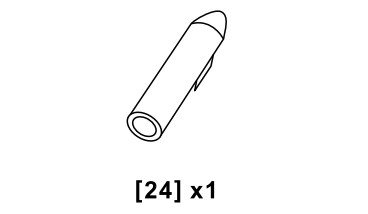
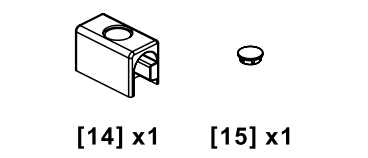
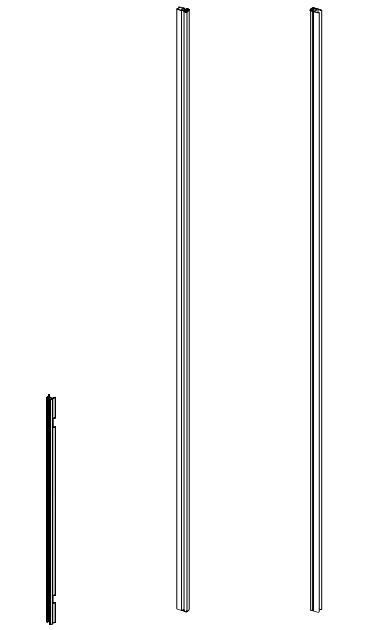
[24] x4



[20] x4 (ST4x35)



02



03

